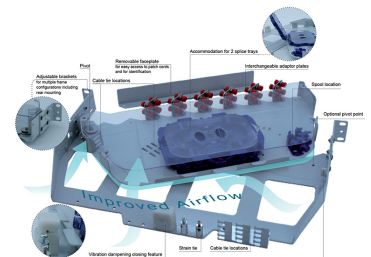
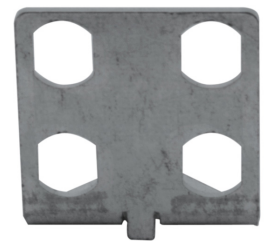
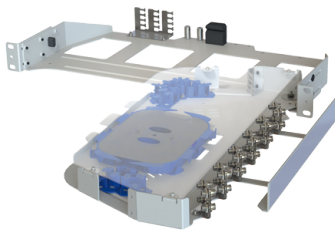


## P07 1U Pivot Patch Panel - 24 Position SC/LC up to 48 fibers



This innovative, robust 1U pivot patch panel has been designed to accept up to 48 fibers housed within a 1U space. With the ability to use a full array of adapter types offering a flexible solution to the end user, enabling them to incorporate a multifunctional panel which allows easy access during installation or re-work with no disturbance of the existing cable or fibers.

## FEATURES/BENEFITS

- Pivoting tray provides full access to adapters and fibers whilst managing incoming cable length
- Angled adapter plates direct exiting patch cords to side management behind the removable front label plate
- Holds up to 24 SC, LC, FC, ST or E2000 adapters within 1U
- Suitable for up to 4 incoming cables
- The angled tray and minimal panel footprint increase airflow to aid equipment cooling
- Tray can be assembled left or right handed, recessed or set forward to accommodate different racks
- Tray secured by vibration dampening closing features
- Splicing and fiber bend radius managed by AFL Hyperscale® Speedway Splice Tray and Spool
- Multiple adapter options available
- Accepts loose tube, distribution and pre-terminated cables
- RoHS, REACH and SvHC
- Fits standard 19"

## APPLICATIONS

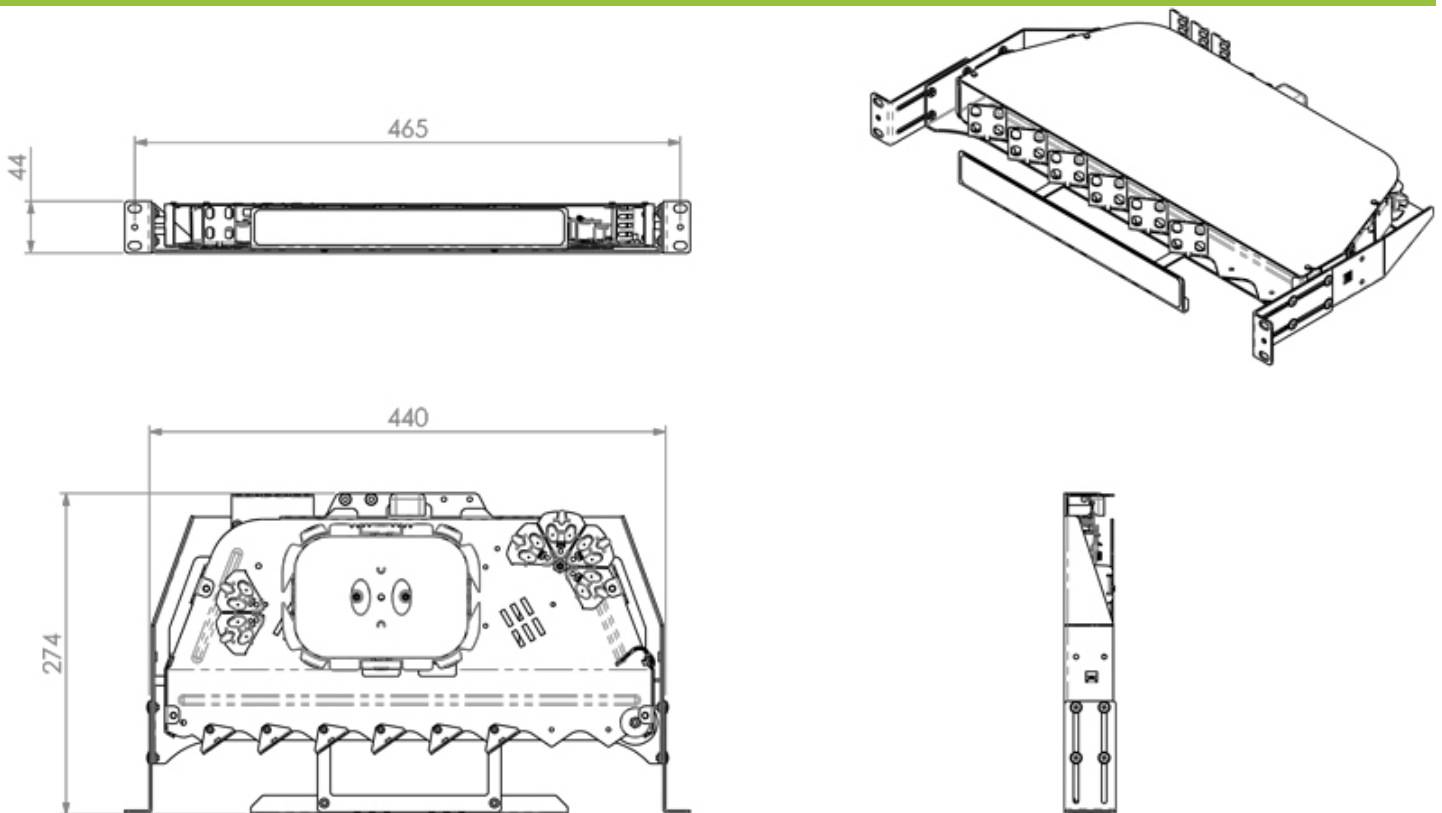
- Data centers, premise installations, telecommunication networks
- Ethernet, Fiber Channel, ATM, LAN, MAN and WAN
- Data communication and telecommunication networks
- Indoor applications

## SPECIFICATIONS

## DESCRIPTION

U Size	1U (44.4mm)
Width	482mm
Depth	274mm
Net weight	2.5 kg
Packaged weight	3 kg
Packaged dimensions	450mm W X 55mm H x 260mm D
IP rating	IP20
Suitable for adapter type(flangeless adapters only)	ST, FC, SC Simplex, LC Duplex, SC Simplex, E2000
Number of fibers	24 to 48
Mounting Adjustment range	50mm
Material	Cold-rolled steel
Material thickness	Tray: 1.2mm - Frame: 2.0mm
Material coating	Powder coating
Colour	RAL 7035
Operating temperature	-40°C to +50°C
Designed in accordance with	TIA/EIA 568.C, ISO/IEC 11801, EN50173, IEC60304, IEC61754,
Compliant to	RoHS, Reach/SVHC

## TECHNICAL DRAWING



ORDERING INFORMATION

Code	Fibre Type		Code	Fiber Count		Code	Adaptor		Code	FM Model	
F	S	SM Adaptors	PC	24	24F (E2/FC/SC/ST Simplex)	DX	A	LC	X	-07AD	SC Simplex / LC Duplex Ports
	M	MM Adaptors		48	48F (LC Duplex)		B	LCA		-08AD	FC/ST Ports
	V	MM Erika Violet adaptors					D	SC			
							E	SCA			
							H	FC			
							J	FCA			
							K	ST			
							L	E2			
							M	E2A			

PART NUMBER	DESCRIPTION	LEGACY PART NUMBER
FMPC24DXDX-07AD	Pivot Panel Grey 7035 24 Port (SCS/LCD) 24F SC MM (Adaptors)	P07SCM24RH
FSPC24DXDX-07AD	Pivot Panel Grey 7035 24 Port (SCS/LCD) 24F SC SM (Adaptors)	P07SCS24RH
FSPC24DXEX-07AD	Pivot Panel Grey 7035 24 Port (SCS/LCD) 24F SCA SM (Adaptors)	P07SCA24RH
FMPC24DXLX-07AD	Pivot Panel Grey 7035 24 Port (SCS/LCD) 24F E2 MM (Adaptors)	P07E2M24RH
FSPC24DXLX-07AD	Pivot Panel Grey 7035 24 Port (SCS/LCD) 24F E2 SM (Adaptors)	P07E2S24RH
FSPC24DXMX-07AD	Pivot Panel Grey 7035 24 Port (SCS/LCD) 24F E2A SM (Adaptors)	P07E2A24RH
FMPC48DXAX-07AD	Pivot Panel Grey 7035 24 Port (SCS/LCD) 48F LC MM (Adaptors)	P07LCM24RH
FVPC48DXAX-07AD	Pivot Panel Grey 7035 24 Port (SCS/LCD) 48F LC MM EV (Adaptors)	P07LCV24RH
FSPC48DXAX-07AD	Pivot Panel Grey 7035 24 Port (SCS/LCD) 48F LC SM (Adaptors)	P07LCS24RH
FSPC48DXBX-07AD	Pivot Panel Grey 7035 24 Port (SCS/LCD) 48F LCA SM (Adaptors)	P07LCA24RH
FSPC24DXKX-07AD	Pivot Panel Grey 7035 24 Port (FC/ST) 24F ST SM (Adaptors)	P07STS24RH
FMPC24DXKX-07AD	Pivot Panel Grey 7035 24 Port (FC/ST) 24F ST MM (Adaptors)	P07STM24RH
FSPC24DXHX-07AD	Pivot Panel Grey 7035 24 Port (FC/ST) 24F FC SM (Adaptors)	P07FCS24RH
FMPC24DXHX-07AD	Pivot Panel Grey 7035 24 Port (FC/ST) 24F FC MM (Adaptors)	P07FCM24RH
FSPC24DXJX-07AD	Pivot Panel Grey 7035 24 Port (FC/ST) 24F FCA SM (Adaptors)	P07FCA24RH



SCAN QR FOR PRODUCT PAGE

FURTHER INFORMATION

- For additional information please contact your sales representative
- To view the product 360 visit the product page (Scan the QR code or visit the link below)
- Downloaded from <https://www.aflhyperscale.com/product/p07-1u-pivot-patch-panel>
- AFL Hyperscale reserves the right to make changes in this datasheet at any time without notice
- Information in this document is correct as of October 31, 2019

Europe

+44 (0) 1908 441 144  
emeasales@aflhyperscale.com  
© AFL Hyperscale 2019

Americas

+1 866 814 8615  
usasales@aflhyperscale.com

Middle East & Africa

+971 4 404 9606  
mesales@aflhyperscale.com

India

+91 80 46874687  
indiasales@aflhyperscale.com

Asia Pacific

+86 755 2561 3694  
apacsales@aflhyperscale.com