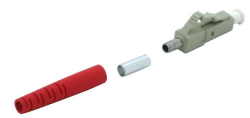
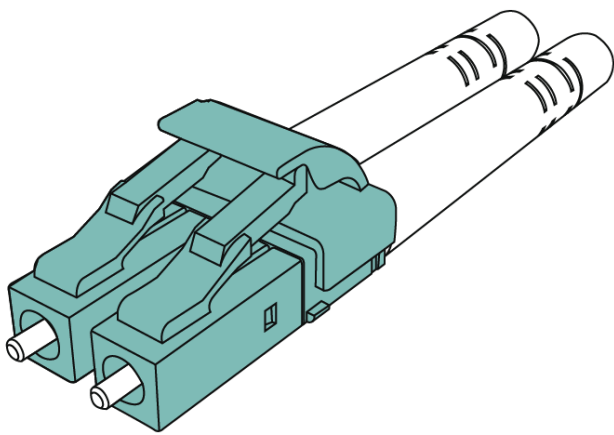


Product updated on September 25, 2017

LC Connectors



Item Description

The LC connector features a 1.25mm Zirconia ferrule in a small form factor (SFF) fibre optic connector housing with a snag free latch which gives an audible click upon engaging for reliable and high density connections. A range of pigtail, simplex and duplex LC connectors are manufactured including Low Loss and High Performance Grades which are suitable for various applications. The LC connectors are available for single mode UPC with white or blue boots, for APC with green boots and for multimode PC with white, red or black boots suitable for 900µm or 3mm cable diameters or with heatshrink and crimp cable retention method for 2mm cable diameters (white and yellow for duplex and yellow for simplex). The LC connector is available in simplex and duplex (with clips) in standard colours including blue (single mode), green (single mode APC) and beige (multimode).

Features/Benefits

- Complies with IEC 61754-20 and TIA 604-10-B, FOCIS-10 for intermateability
- Low insertion loss and back reflection capability
- Compact SFF design with snag free latch for easy insertion and consistent connection
- Connector housing and duplex clip available in different colours for easy identification
- Zirconia ceramic ferrule available in several performance grades
- RoHS materials, REACH SvHC compliant
- Individual parts packed in bulk package

Applications

- Datacentre applications
- Telecommunication networks
- LAN, MAN and WAN application
- Data processing networks
- CATV - Cable television
- Fibre-To-The-Home (FTTH)
- Premises distribution

Specifications

MECHANICAL PROPERTIES CRITERIA		EFFECT	CONFORMANCE
Mating Durability	500 matings	<0.2 dB change	IEC 61300-2-2
Vibration	10-55Hz, 0.75 amplitude	<0.2 dB change	IEC 61300-2-1
Drop	Drop height 1m, 5 drops	<0.2 dB change	IEC 61300-2-12
Cable Retention	Magnitude 70N	<0.2 dB change	IEC 61300-2-4
Cable Torsion	1.5kg - 2.5kg for 2mm-3mm cable diameter	<0.2 dB change	IEC 61300-2-5
Operating Temperature	-25 to +70°C, 12 cycles	<0.2 dB change	IEC 61300-2-22
Cold	-25 for 96 hrs	<0.2 dB change	IEC 61300-2-17
Dry Heat	+70 for 96 hrs	<0.2 dB change	IEC 61300-2-18

LC Connector PC and APC - Single mode

OPTICAL PERFORMANCE*	HIGH PERFORMANCE	LOW LOSS PREMIUM	STANDARD	CONFORMANCE
IL MAX/Master (Acceptance)	0.10dB	0.15dB	0.25dB	IEC 61300-3-4
IL MAX/Random (97%)	0.20dB	0.30dB	0.40dB	IEC 61300-3-34
Ave/Master	0.08dB	0.12dB	0.18dB	IEC 61300-3-4
Ave/Random	0.08dB	0.12dB	0.18dB	IEC 61300-3-34
Return Loss	55/70dB	55/65dB	55/65dB	IEC 61300-3-6

LC Connector - Multimode

OPTICAL PERFORMANCE*	LOW LOSS PREMIUM	STANDARD	CONFORMANCE
IL MAX/Master (Acceptance)	0.15	0.30	IEC 61300-3-4
IL MAX/Random (97%)	0.25	0.40	IEC 61300-3-34
Ave/Master	0.08	0.15	IEC 61300-3-4
Ave/Random	0.10	0.20	IEC 61300-3-34

* Achievable with FibreFab process and specified optical fibre

Ordering information

Single mode			HIGH PERFORMANCE	LOW LOSS PREMIUM	STANDARD
PC	Simplex	900µm	LCSM9-H	LCSM9-P	LCSM9
		2mm	LCSM2-H	LCSM2-P	LCSM2
		3mm	LCSM3SMPX-H	LCSM3SMPX-P	LCSM3SMPX
	Duplex	2mm	LCSM2DPX-H	LCSM2DPX-P	LCSM2DPX
		3mm	LCSM3DPX-H	LCSM3DPX-P	LCSM3DPX
APC	Simplex	900µm	LCAPC.9MM-H	LCAPC.9MM-P	LCAPC.9MM
		2mm	LCAPC2MM-H	LCAPC2MM-P	LCAPC2MM
	Duplex	2mm	LCAPC2DPX-H	LCAPC2DPX-P	LCAPC2DPX

Multimode			LOW LOSS PREMIUM	STANDARD
PC	Simplex	900µm	LCMM9-P	LCMM9
		2mm	LCMM2-P	LCMM2
		3mm (Black boot)	LCMM3BLK-P	LCMM3BLK
		3mm (Red boot)	LCMM3RED-P	LCMM3RED
	Duplex	2mm	LCMM2DPX-P	LCMM2DPX
		3mm (Red & Black boots)	LCMM3DPX-P	LCMM3DPX



Further Information

- For additional information please contact your sales representative
- To view the product 360 visit the product page (Scan the QR code or visit the link below)
- Downloaded from <https://www.fibrefab.com/product/lc-connectors>
- FibreFab reserves the right to make changes in this datasheet at any time without notice
- Information in this document is correct as of September 25, 2017

SCAN QR FOR PRODUCT PAGE

Europe

+44 (0) 1908 441 144
 sales@fibrefab.com
 © FibreFab 2017

Americas

+1 800 790 9932
 sales@fiberfabinc.com

Middle East & Africa

+971 4 404 9606
 mesales@fibrefab.com

Asia Pacific

+86 755 2561 3694
 asia@fibrefab.com