

MP-88

U=UNSHIELDED
S=SHIELDED

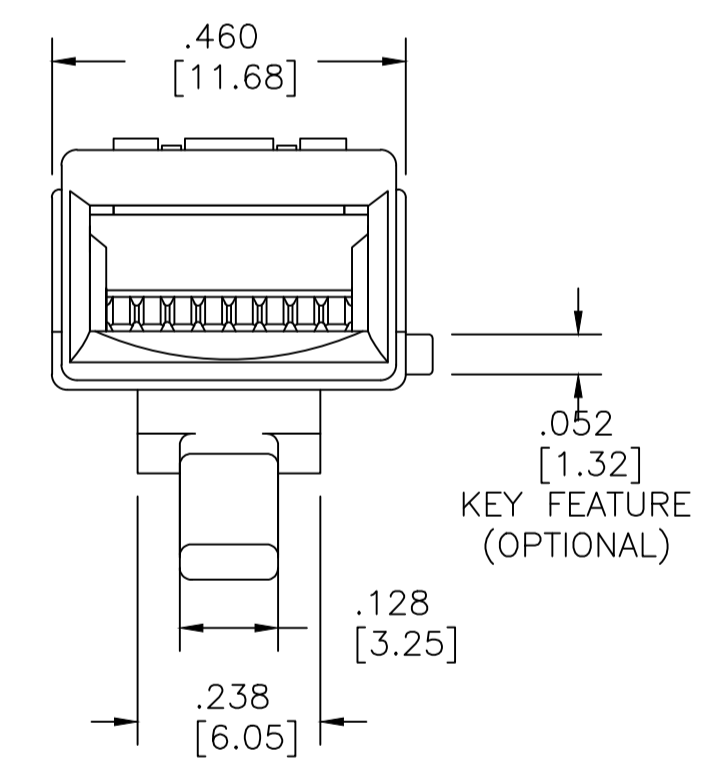
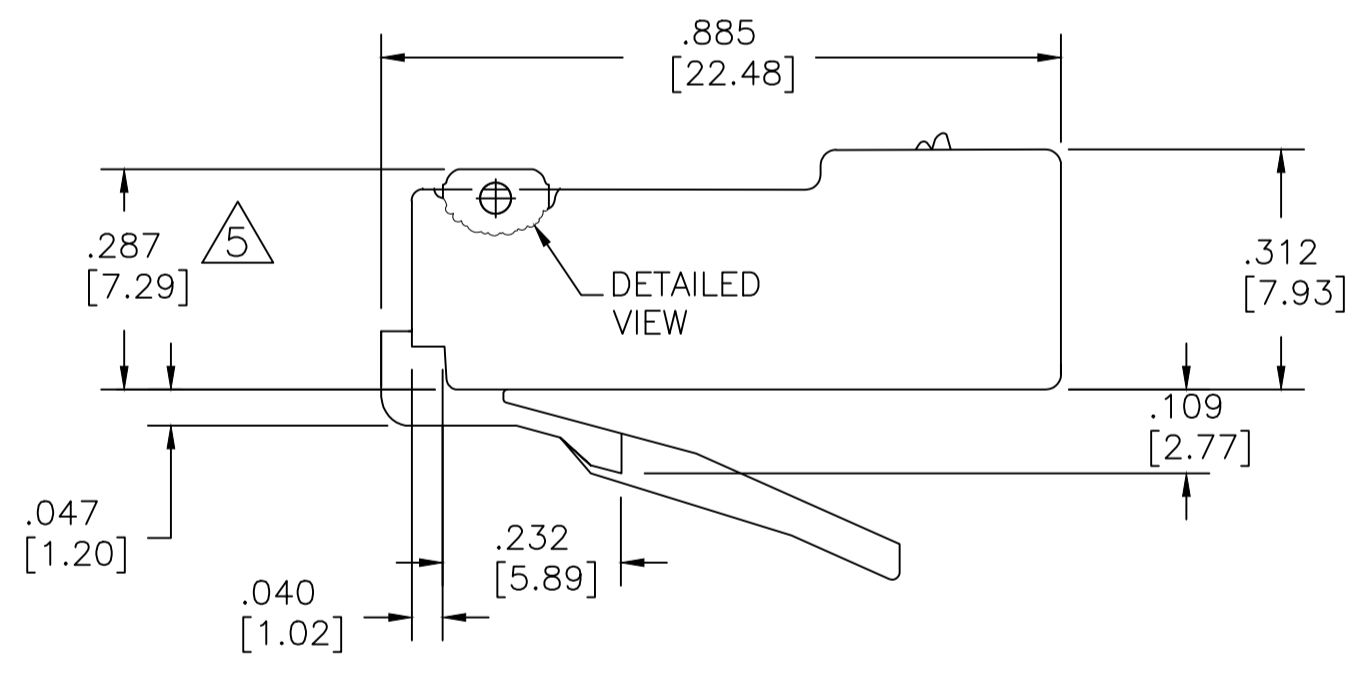
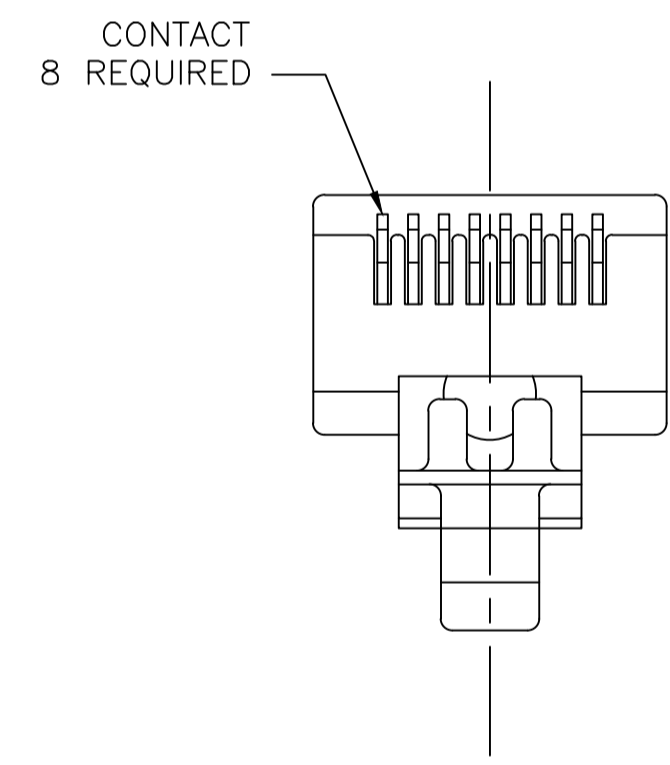
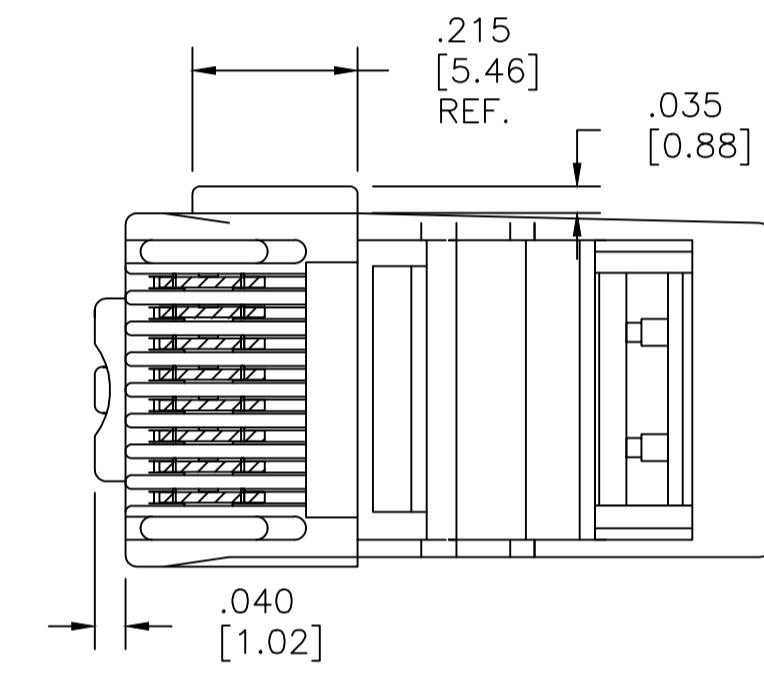
CABLE TYPE
R=ROUND
F=FLAT OVAL

INSULATION DIAMETER
S=SMALL CONDUCTOR

PACKAGE SIZE
5 = 500
1 = 100

- 1 DIMENSIONS ARE NOMINAL UNLESS OTHERWISE SPECIFIED.
- 2 MATERIAL: HOUSING- POLYCARBONATE, CLEAR
TERMINAL- .305 [.012] THICK PHOSPHOR BRONZE PLATED WITH 1.27μm [.00005] MINIMUM THICK GOLD IN LOCALIZED PLATE AREA OVER 2.54μm [.000100] MINIMUM THICK NICKEL UNDERPLATE.

SHIELD, OPTIONAL- COPPER ALLOY WITH 1.27μm [.000050] MINIMUM SEMI-BRIGHT (SATIN) NICKEL.
3. NON-SMALL CONDUCTOR PLUGS WILL ACCEPT 24 TO 26 AWG SOLID OR STRANDED CONDUCTORS WITH A SINGLE INSULATION DIAMETER OF 0.86-0.99[.034-.039]. SMALL CONDUCTOR PLUGS WILL ACCEPT 26 TO 28 AWG SOLID OR STRANDED WIRE WITH A SINGLE INSULATION DIAMETER OF 0.74-0.86[.029-.034].
4. MODULAR PLUGS FOR ROUND CABLES WILL ACCEPT CABLES WITH A MAXIMUM DIAMETER JACKET OF 5.08[.20]. MODULAR PLUGS FOR FLAT OVAL CABLES WILL ACCEPT CABLES WITH A MAXIMUM OVAL CABLE JACKET OF 2.54 X 8.89 [.100 X .350]
- 5 TERMINATED DIMENSION 5.89 [.232] - 6.15 [.242].
6. UL RECOGNIZED FILE NUMBER E81956.



UNSHIELDED MOD PLUG 8 POSITION

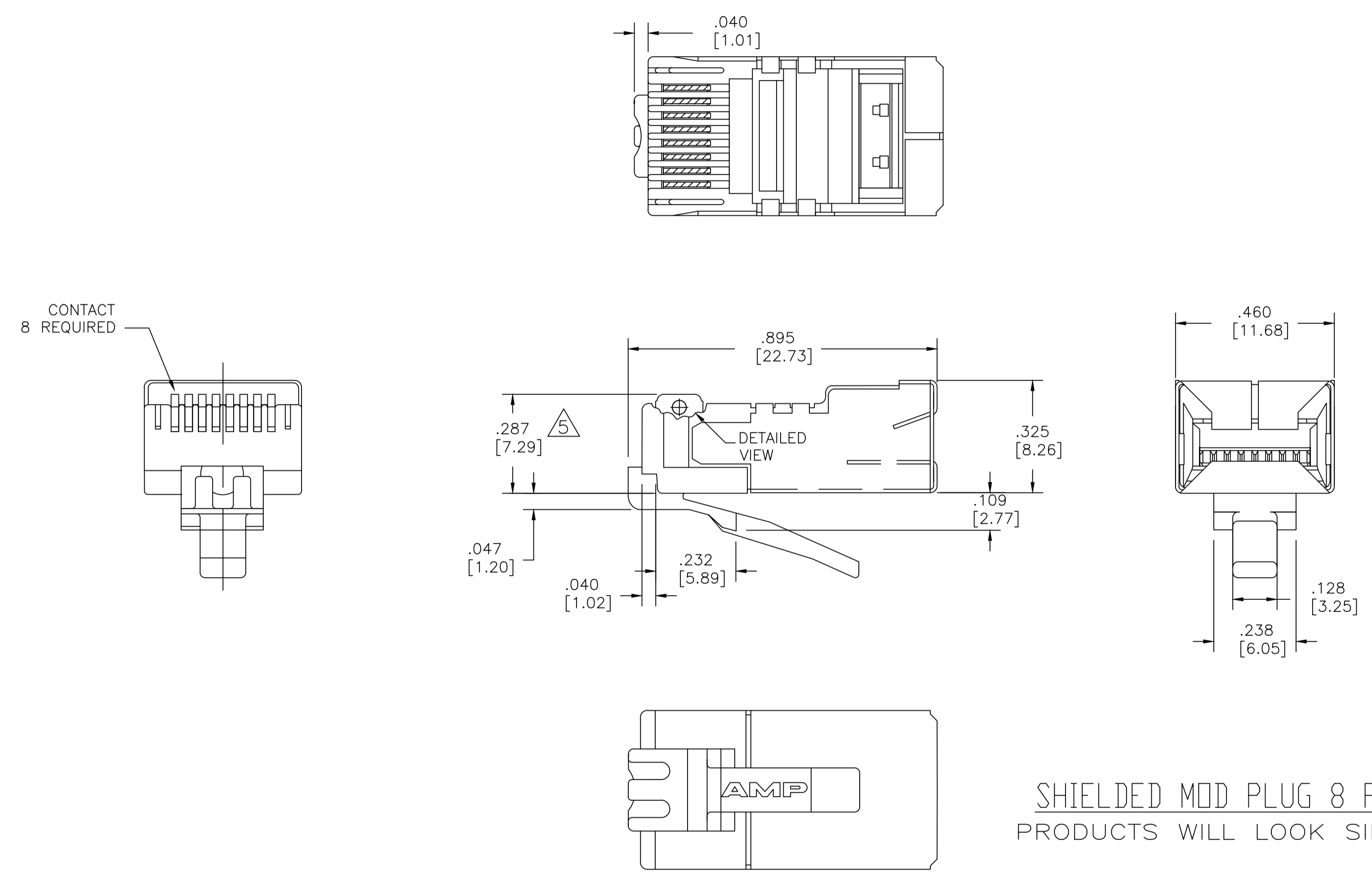
PRODUCTS WILL LOOK SIMILAR TO THIS VIEW

100	6-557961-3	MP-88U-RS-1
500	6-557961-2	MP-88U-RS-5
100	6-557972-3	MP-88U-FS-1
500	6-557972-2	MP-88U-FS-5
100	6-554720-3	MP-88U-F-1
500	6-554720-2	MP-88U-F-5
100	6-557315-3	MP-88U-R-1
500	6-557315-2	MP-88U-R-5
PACKAGE	MATERIAL	CATALOG NUMBER
UNSHIELDED CATALOG NUMBER VERSIONS		

THIS DRAWING IS A CONTROLLED DOCUMENT.		DRW: G. GARRETT 09JUN2015	TE Connectivity
DIMENSIONS: INCHES [mm]		CHK: J. GENIAC 09JUN2015	
TOLERANCES UNLESS OTHERWISE SPECIFIED:		APPV: J. GENIAC 09JUN2015	NAME: KIT, MOD PLUG, 8 POSITION, 8 CONTACTS
0 PLC ± -	1 PLC ± -	PRODUCT SPEC: 108-1163	RESTRICTED TO: -
2 PLC ± -	3 PLC ± .005	APPLICATION SPEC: 114-6016	SIZE: A1
4 PLC ± -	ANGLES ± -	WEIGHT: -	CAGE CODE: 00779
MATERIAL:		FINISH:	DRAWING NO: 2843005
		CUSTOMER DRAWING	SCALE: 4:1 SHEET 1 OF 2 REV B

MP-88

- U=UNSHIELDED
S=SHIELDED
- CABLE TYPE
R=ROUND
F=FLAT OVAL
- INSULATION DIAMETER
S=SMALL CONDUCTOR
- PACKAGE SIZE
5 = 500
1 = 100



SHIELDED MOD PLUG 8 POSITION
PRODUCTS WILL LOOK SIMILAR TO THIS VIEW

100	6-569542-3	MP-88S-F-1
500	6-569542-2	MP-88S-F-5
100	6-569530-3	MP-88S-R-1
500	6-569530-2	MP-88S-R-5
PACKAGE	MATERIAL	CATALOG NUMBER

SHIELDED CATALOG NUMBER VERSIONS

THIS DRAWING IS A CONTROLLED DOCUMENT.

DRN G. GARRETT 09JUN2015	TE Connectivity
CHK J. GENIAC 09JUN2015	
APVD J. GENIAC 09JUN2015	NAME KIT, MOD PLUG, 8 POSITION, 8 CONTACTS
PRODUCT SPEC 108-1163	SIZE A1
APPLICATION SPEC 114-6016	CAGE CODE C=2843005
WEIGHT -	RESTRICTED TO -
CUSTOMER DRAWING	SCALE 4:1 SHEET 2 OF 2 REV B