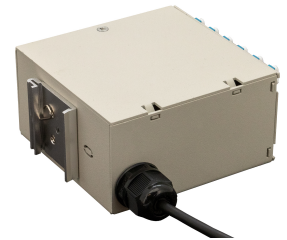
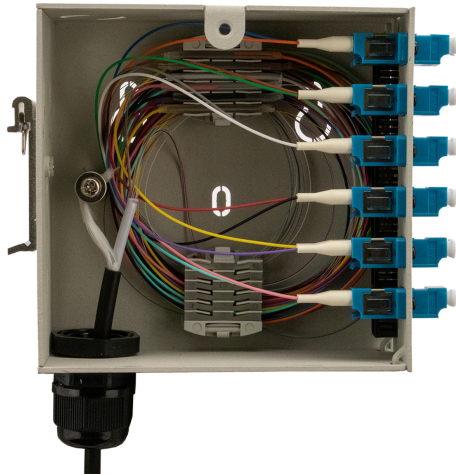


Din Rail Demarcation Box



Our Din Rail splice box offers a wide range of flexibility to the end user. The standard enclosure includes a hinged splice holder house up to 24 splice protectors, and 1 cable gland for incoming.

FEATURES/BENEFITS

- Din Rail mounting
- Wall mountable
- Top and bottom cable entry points (1 x Cable gland Included)
- Strength member tie position x 1
- 2x Splice Holders, each for 12 splice protectors or splice holder for 12 metal crimp splice protectors
- Suitable for pre-terminated cables, splicing, or pass through
- IP20

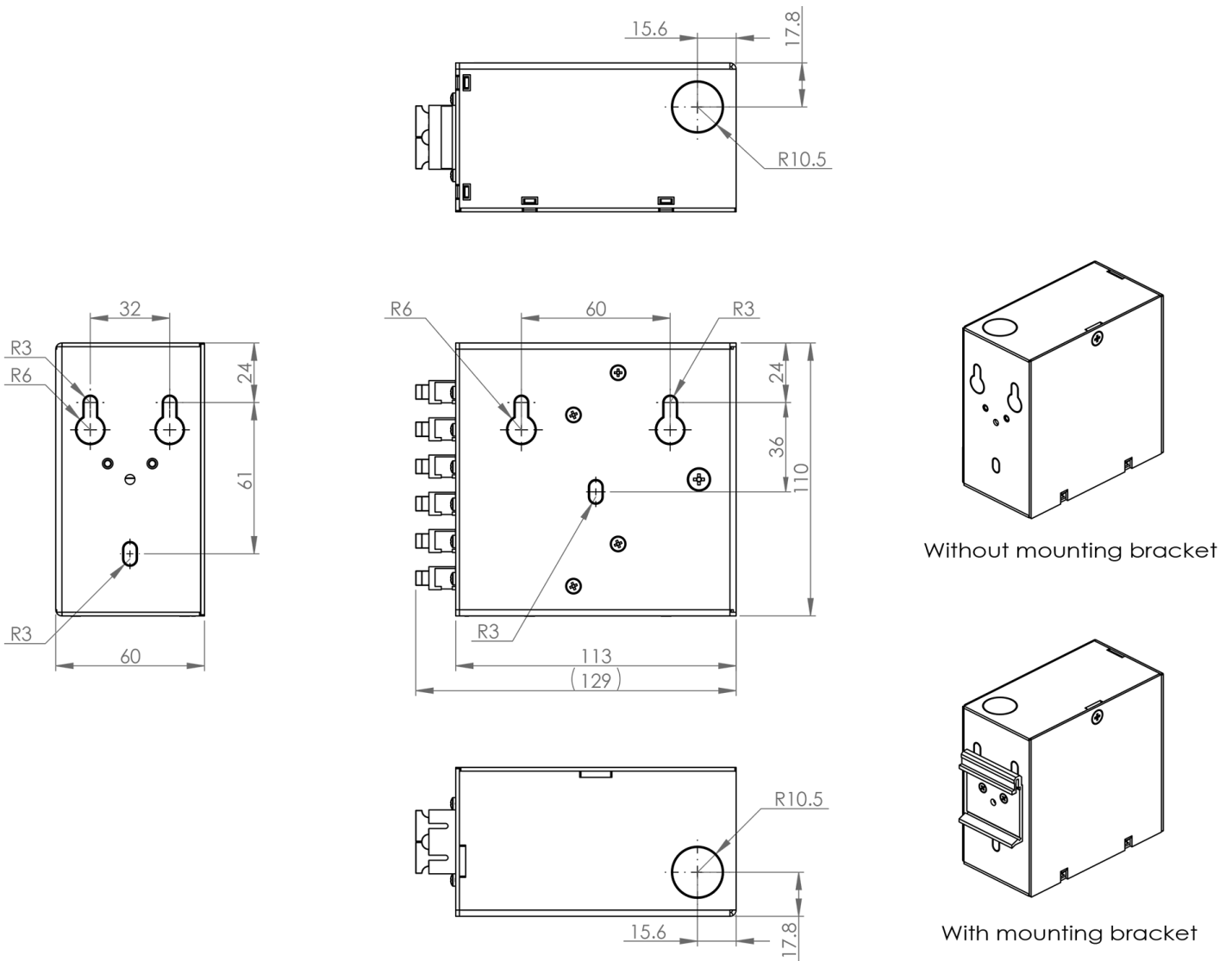
APPLICATIONS

- Internal application
- Data Centre or telecommunications networks
- For use in multi dwelling units or demarcation points within a network

SPECIFICATIONS

Height	110mm
Width	60mm
Depth	113mm
Net weight	522g
Packaged weight	579g
Packaged dimensions	157mm x 122mm x 67mm
Suitable for adapter type	ST, FC, SC Simplex, LC Duplex, E2000
Number of fibers	Up to 24 fibers
Material	Cold-rolled steel
Material thickness	1.5mm
Material coating	Powder coating
Colour	Grey RAL 7035
Operating temperature	-40°C to +60°C
Designed in accordance with	TIA/EIA 568.C, ISO/IEC 11801, EN50173, IEC60304, IEC61754,
Compliant to	RoHS, Reach/SVHC

TECHNICAL DRAWING



ORDERING INFORMATION

Code	Fibre Type		Code	Fibre Count		Code	Adaptor/Connector 1		Adaptor Plate		Splice Protectors	
F	S	SM Adaptors	AC	12	12F	DX	A	LC	X-02	ST/FC Plate	AG	Heat Shrink Splice protectors
	M	MM Adaptors		24	24F (LC Duplex)		D	SC	X-03	SCS/LCD Plate	AH	Crimp Style Splice protectors
							E	SCA				
							H	FC				
							K	ST				
							L	E2				
							M	E2A				

PART NUMBER	DESCRIPTION	LEGACY PART NUMBER
FSAC12DXEX-03AG	Din Rail box loaded with 12 x SCA Simplex Single Mode - Heat shrink type	DSP03SCA12
FSAC12DXDX-03AG	Din Rail box loaded with 12 x SC Simplex Single Mode - Heat shrink type	DSP03SCS12
FMAC12DXDX-03AG	Din Rail box loaded with 12 x SC Simplex Multi Mode - Heat shrink type	DSP03SCM12
FSAC12DXAX-03AG	Din Rail box loaded with 6 x LC Duplex Single Mode - Heat shrink type	DSP03LCS06
FSAC24DXAX-03AG	Din Rail box loaded with 12 x LC Duplex Single Mode - Heat shrink type	DSP03LCS12
FMAC12DXAX-03AG	Din Rail box loaded with 6 x LC Duplex Multi Mode - Heat shrink type	DSP03LCM06
FMAC24DXAX-03AG	Din Rail box loaded with 12 x LC Duplex Multi Mode - Heat shrink type	DSP03LCM12
FSAC12DXMX-03AG	Din Rail box loaded with 12 x E2000 APC - Heat shrink type	DSP03E2A12
FSAC12DXLX-03AG	Din Rail box loaded with 12 x E2000 Single Mode - Heat shrink type	DSP03E2S12
FMAC12DXKX-02AG	Din Rail box loaded with 12 x ST Multi Mode - Heat shrink type	DSP02STM12
FSAC12DXKX-02AG	Din Rail box loaded with 12 x ST Single Mode - Heat shrink type	DSP02STS12
FSAC12DXHX-02AG	Din Rail box loaded with 12 x FC Single Mode - Heat shrink type	DSP02FCS12
FMAC12DXHX-02AG	Din Rail box loaded with 12 x FC Multi Mode - Heat shrink type	DSP02FCM12
FSAC12DXEX-03AH	Din Rail box loaded with 12 x SCA Simplex Single Mode - Metal crimp type	DSP03SCA12/DE
FSAC12DXDX-03AH	Din Rail box loaded with 12 x SC Simplex Single Mode - Metal crimp type	DSP03SCS12/DE
FMAC12DXDX-03AH	Din Rail box loaded with 12 x SC Simplex Multi Mode - Metal crimp type	DSP03SCM12/DE
FSAC12DXAX-03AH	Din Rail box loaded with 6 x LC Duplex Single Mode - Metal crimp type	DSP03LCS06/DE
FSAC24DXAX-03AH	Din Rail box loaded with 12 x LC Duplex Single Mode - Metal crimp type	DSP03LCS12/DE
FMAC12DXAX-03AH	Din Rail box loaded with 6 x LC Duplex Multi Mode - Metal crimp type	DSP03LCM06/DE
FMAC24DXAX-03AH	Din Rail box loaded with 12 x LC Duplex Multi Mode - Metal crimp type	DSP03LCM12/DE
FSAC12DXMX-03AH	Din Rail box loaded with 12 x E2000 APC - Metal crimp type	DSP03E2A12/DE
FSAC12DXLX-03AH	Din Rail box loaded with 12 x E2000 Single Mode - Metal crimp type	DSP03E2S12/DE
FMAC12DXKX-02AH	Din Rail box loaded with 12 x ST Multi Mode - Metal crimp type	DSP02STM12/DE
FSAC12DXKX-02AH	Din Rail box loaded with 12 x ST Single Mode - Metal crimp type	DSP02STS12/DE
FSAC12DXHX-02AH	Din Rail box loaded with 12 x FC Single Mode - Metal crimp type	DSP02FCS12/DE
FMAC12DXHX-02AH	Din Rail box loaded with 12 x FC Multi Mode - Metal crimp type	DSP02FCM12/DE



SCAN QR FOR PRODUCT PAGE

FURTHER INFORMATION

- For additional information please contact your sales representative
- To view the product 360 visit the product page (Scan the QR code or visit the link below)
- Downloaded from <https://www.aflhyperscale.com/product/din-rail-demarcation-box>
- AFL Hyperscale reserves the right to make changes in this datasheet at any time without notice
- Information in this document is correct as of September 18, 2019

Europe

+44 (0) 1908 441 144
emeasales@aflhyperscale.com
© AFL Hyperscale 2019

Americas

+1 866 814 8615
usasales@aflhyperscale.com

Middle East & Africa

+971 4 404 9606
mesales@aflhyperscale.com

India

+91 80 46874687
indiasales@aflhyperscale.com

Asia Pacific

+86 755 2561 3694
apacsales@aflhyperscale.com