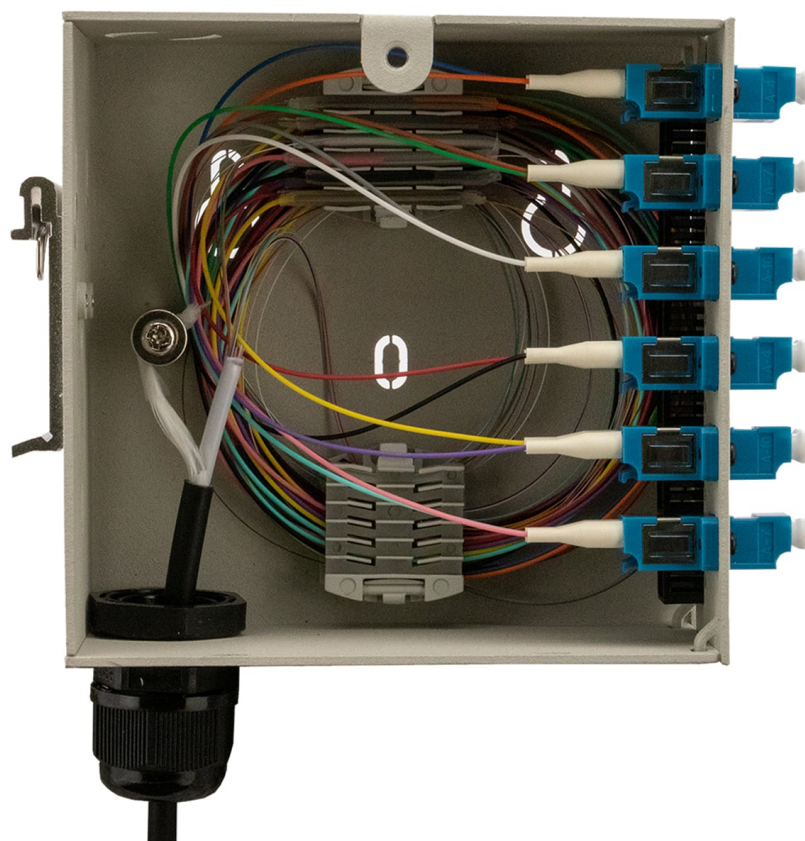


## Din Rail Demarcation Box



### Description

Our Din Rail splice box offers a wide range of flexibility to the end user. The standard enclosure includes a hinged splice holder house up to 24 splice protectors, and 1 cable gland for incoming.

### Features and Benefits

- Din Rail mounting
- Top and bottom cable entry points (1 x Cable gland Included)
- 2x Splice Holders, each for 12 splice protectors or splice holder for 12 metal crimp splice protectors
- IP20
- Wall mountable
- Strength member tie position x 1
- Suitable for pre-terminated cables, splicing, or pass through

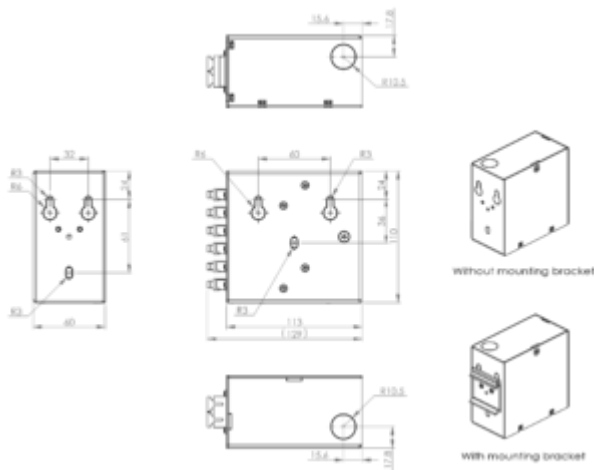
### Applications

- Internal application
- For use in multi dwelling units or demarcation points within a network
- Data Centre or telecommunications networks

## Specifications

Height	110mm
Width	60mm
Depth	113mm
Net weight	522g
Packaged weight	579g
Packaged dimensions	157mm x 122mm x 67mm
Suitable for adapter type	ST, FC, SC Simplex, LC Duplex, E2000
Number of fibers	Up to 24 fibers
Material	Cold-rolled steel
Material thickness	1.5mm
Material coating	Powder coating
Colour	Grey RAL 7035
Operating temperature	-40°C to +60°C
Designed in accordance with	TIA/EIA 568.C, ISO/IEC 11801, EN50173, IEC60304, IEC61754,
Compliant to	RoHS, Reach/SVHC

## Technical Drawing



## Ordering Information

Code	Fibre Type	Code	Fibre Count	Code	Adaptor/Connector 1	Adaptor Plate	Splice Protectors
F	S SM Adaptors	AC	12 12F	DX	A LC	X-02 ST/FC Plate	AG Heat Shrink Splice protectors
	M MM Adaptors		24 24F (LC Duplex)		D SC	X-03 SCS/LCD Plate	AH Crimp Style Splice protectors
					E SCA		
					H FC		
					K ST		



PART NUMBER	DESCRIPTION	LEGACY PART NUMBER
FSAC12DXHX-02AH	Din Rail box loaded with 12 x FC Single Mode - Metal crimp type	DSP02FCS12/DE
FMAC12DXHX-02AH	Din Rail box loaded with 12 x FC Multi Mode - Metal crimp type	DSP02FCM12/DE

## Additional Images



## Related Products

