

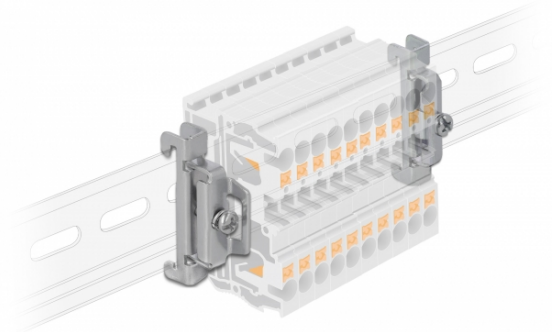
Delock DIN Rail End Clamp Stainless Steel screwable 4 pieces

Description

This DIN rail end clamp is used to secure e.g. terminals or converters which are attached on the DIN rail.

Safe support on the DIN rail

The devices remain in their original position even during vibrations and they can not slip or fall out.



Specification

- DIN rail mounting: 35 mm
- Material: stainless steel
- Dimensions (LxWxH): ca. 45 x 15 x 10 mm

Package content

- 4 x DIN rail end clamp

Item no. 66231

EAN: 4043619662319

Country of origin: China

Package: Zip poly bag

Images



4 x





General

Mounting type: **standard**
DIN rail mounting: 35 mm

Physical characteristics

Material: **standard**
stainless steel