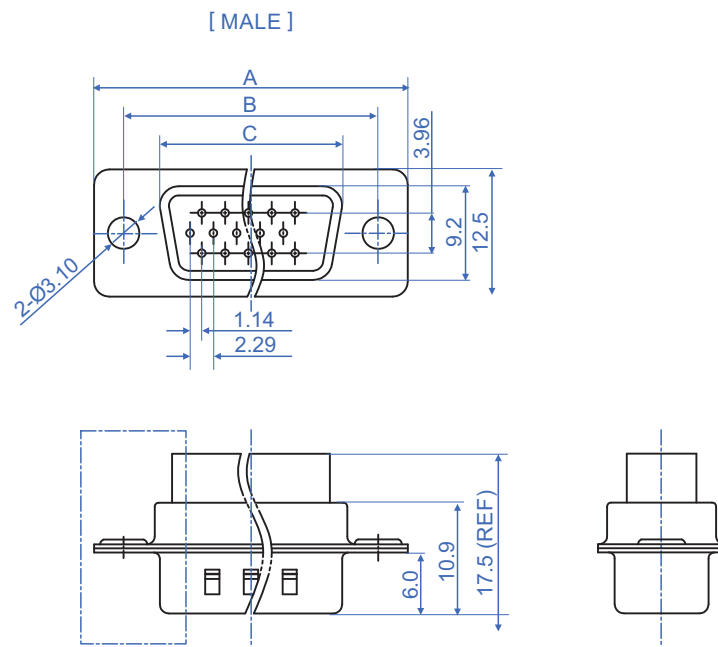


Product Specification



Dimensions

Item-no.	pin	A	B	C
66712	50	67,04	61,00	54,30
66713	26	39.14	33.32	26.50
66714	44	53.04	47.04	40.00

Date	2021 / 05 / 04	 we move the world
Unit	mm	
Projection	sketch	Title: D-Sub HD crimp male metal
Rev	A	Item no. 66712 - 66714
		File No.