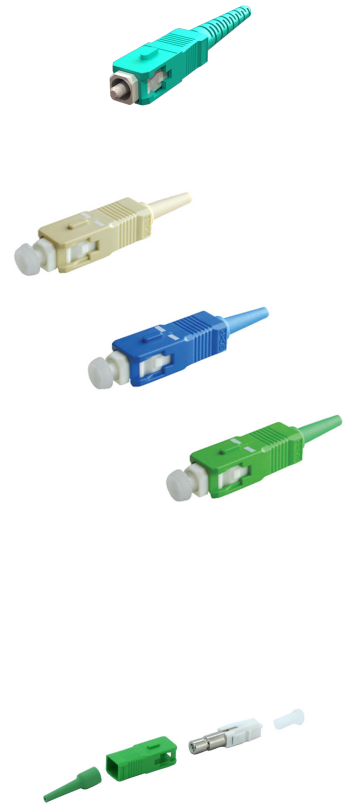
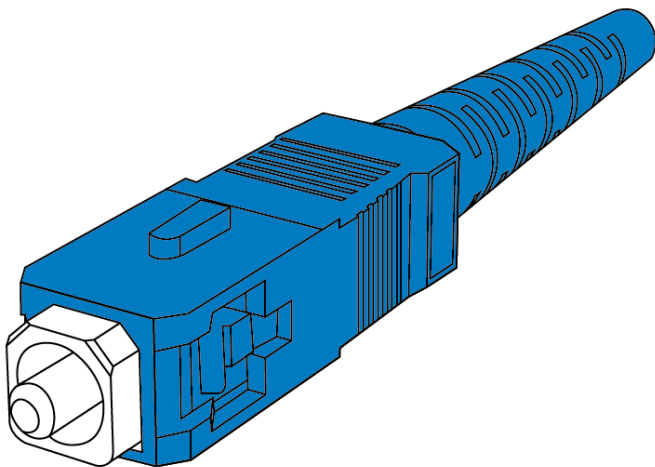


Product updated on February 05, 2018

## SC Connector



### Item Description

The SC connector features a 2.5mm Zirconia Ceramic ferrule and a push/pull coupling mechanism for a fast and reliable connection.

A range of pigtail, simplex and duplex SC connectors are manufactured including Standard, Premium Low Loss and High Performance Grades which are suitable for various applications.

The SC connectors are available for single mode UPC with blue boots, for APC with green boots and for multimode PC with red or black boots suitable for 900 $\mu$ m, 2mm or 3mm cable diameters.

The SC/APC connector is available with a pre-angled ferrule designed for 8 degree angle polishing.

The SC connector housing and duplex clip are available in standard colours including blue (single mode), green (single mode APC) and beige (multimode).

## Features/Benefits

- Complies with IEC 61754-4 and TIA 604-3-B, FOCIS-3
- Low insertion loss and back reflection capability
- A push-pull coupling mechanism for easy insertion and consistent connection
- Connector housing and duplex clip available in different colours for easy identification
- Zirconia ceramic ferrule available in several performance grades
- RoHS materials, REACH SvHC compliant
- Individual parts packed in bulk package

## Applications

- Telecommunications networks
- CATV - Cable television
- Fibre-To-The-Home (FTTH)
- LAN, MAN and WAN application
- Data processing networks
- Premises distribution

## Specifications

MECHANICAL PROPERTIES CRITERIA		EFFECT	CONFORMANCE
Mating Durability	500 matings	<0.2 dB change	IEC 61300-2-2
Vibration	10-55Hz, 0.75 amplitude	<0.2 dB change	IEC 61300-2-1
Drop	Drop height 1m, 5 drops	<0.2 dB change	IEC 61300-2-12
Cable Retention	Magnitude 90N	<0.2 dB change	IEC 61300-2-4
Cable Torsion	1.5kg - 2.5kg for 2mm-3mm cable diameter	<0.2 dB change	IEC 61300-2-5
Operating Temperature	-25 to +70, 12 cycles	<0.2 dB change	IEC 61300-2-22
Cold	-25 for 96 hrs	<0.2 dB change	IEC 61300-2-17
Dry Heat	+70 for 96 hrs	<0.2 dB change	IEC 61300-2-18

## SC Connector PC and APC - Single mode

OPTICAL PERFORMANCE*	HIGH PERFORMANCE	LOW LOSS PREMIUM	STANDARD	CONFORMANCE
IL MAX/Master (Acceptance)	0.10dB	0.15dB	0.25dB	IEC 61300-3-4
IL MAX/Random (97%)	0.20dB	0.30dB	0.40dB	IEC 61300-3-34
Ave/Master	0.08dB	0.12dB	0.18dB	IEC 61300-3-4
Ave/Random	0.08dB	0.12dB	0.18dB	IEC 61300-3-34
Return	55/70dB	55/65dB	55/65dB	IEC 61300-3-6

## SC Connector PC - Multimode

OPTICAL PERFORMANCE*	LOW LOSS PREMIUM	STANDARD	CONFORMANCE
IL MAX/Master (Acceptance)	0.15dB	0.30dB	IEC 61300-3-4
IL MAX/Random (97%)	0.25dB	0.40dB	IEC 61300-3-34
Ave/Master	0.08dB	0.15dB	IEC 61300-3-4
Ave/Random	0.10dB	0.20dB	IEC 61300-3-34

\* Achievable with FibreFab process and specified optical fibre

**Ordering information**

Single mode		HIGH PERFORMANCE		LOW LOSS PREMIUM		STANDARD	
PC	Simplex	900µm	SCSM9SMPX-H	SCSM9SMPX-P	SCSM9SMPX	SCSM9SMPX	SCSM9SMPX
		2mm	SCSM2SMPX-H	SCSM2SMPX-P	SCSM2SMPX	SCSM2SMPX	SCSM2SMPX
		3mm	SCSM3SMPX-H	SCSM3SMPX-P	SCSM3SMPX	SCSM3SMPX	SCSM3SMPX
	Duplex	2mm	SCSM2DPX-H	SCSM2DPX-P	SCSM2DPX	SCSM2DPX	SCSM2DPX
		3mm	SCSM3DPX-H	SCSM3DPX-P	SCSM3DPX	SCSM3DPX	SCSM3DPX
		3mm	SCSM3DPX-H	SCSM3DPX-P	SCSM3DPX	SCSM3DPX	SCSM3DPX
APC	Simplex	900µm	SCAPC.9MM-H	SCAPC.9MM-P	SCAPC.9MM	SCAPC.9MM	SCAPC.9MM
		2mm	SCAPC2MM-H	SCAPC2MM-P	SCAPC2MM	SCAPC2MM	SCAPC2MM
		3mm	SCAPC3MM-H	SCAPC3MM-P	SCAPC3MM	SCAPC3MM	SCAPC3MM
	Duplex	2mm	SCAPC2DPX-H	SCAPC2DPX-P	SCAPC2DPX	SCAPC2DPX	SCAPC2DPX
		3mm	SCAPC3DPX-H	SCAPC3DPX-P	SCAPC3DPX	SCAPC3DPX	SCAPC3DPX
		3mm	SCAPC3DPX-H	SCAPC3DPX-P	SCAPC3DPX	SCAPC3DPX	SCAPC3DPX
<b>Multimode</b>		<b>LOW LOSS PREMIUM</b>		<b>STANDARD</b>			
PC	Simplex	900µm	SCMM9SMPX-P	SCMM9SMPX	SCMM9SMPX	SCMM9SMPX	SCMM9SMPX
		2mm	SCMM2SMPX-P	SCMM2SMPX	SCMM2SMPX	SCMM2SMPX	SCMM2SMPX
		3mm	SCMM3SMPX-P	SCMM3SMPX	SCMM3SMPX	SCMM3SMPX	SCMM3SMPX
	Duplex	2mm	SCMM2DPX-P	SCMM2DPX	SCMM2DPX	SCMM2DPX	SCMM2DPX
		3mm	SCMM3DPX-P	SCMM3DPX	SCMM3DPX	SCMM3DPX	SCMM3DPX
		3mm	SCMM3DPX-P	SCMM3DPX	SCMM3DPX	SCMM3DPX	SCMM3DPX



**Further Information**

- For additional information please contact your sales representative
- To view the product 360 visit the product page (Scan the QR code or visit the link below)
- Downloaded from <https://www.fibrefab.com/product/sc-connector>
- FibreFab reserves the right to make changes in this datasheet at any time without notice
- Information in this document is correct as of February 05, 2018

SCAN QR FOR PRODUCT PAGE

**Europe**

+44 (0) 1908 441 144  
 sales@fibrefab.com  
 © FibreFab 2018

**Americas**

+1 800 790 9932  
 sales@fiberfabinc.com

**Middle East & Africa**

+971 4 404 9606  
 mesales@fibrefab.com

**Asia Pacific**

+86 755 2561 3694  
 asia@fibrefab.com