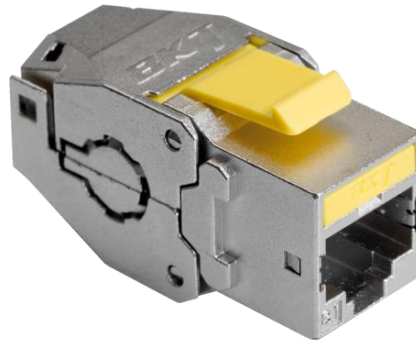


Product Information

BKT RJ45 cat. 8.1 Keystone module, shielded, toolless

Card No.: PI_11336111_01.20



Application

The BKT RJ45 module is used to build a four-pair copper transmission link and, more specifically, to terminate the link with an RJ45 connector in the form of a socket. The compact BKT RJ45 module, in the universal and popular "keystone" mounting standard, can be used in a wide range of electrical installation equipment used in telecommunications subscriber sockets and enables installation in modular patch panels at distribution points such as IT cabinets. The performance of the solution is confirmed by laboratory testing and a set of design features ensures repeatability and high quality of teletechnical installations.

Features

- Information about the category on the front of the module
- Each keystone module includes id tag
- Each keystone module includes dust cover of the port which protects pins against both dust and mechanical damage
- The system of colored id tags/dust covers allows to divide network identification according to the preferences of the user or administrator
- A unique mounting system enabling cable entry from the side or traditionally at the back of the module
- The "keystone" standard of the module guarantees compatibility with a wide range of electro-installation accessories
- The cable insertion from the back of the module doesn't need use of cable tie
- The Faston 250 series connector integrated with the module housing makes it easier to ground each modules individually
- Universal IDC slot connection for solid and stranded wires with 22-23 AWG
- Integrated short circuit protection of conductors
- T568A/B scheme indicated on the tool free organiser
- Color of the keystone mounting latch in accordance with the BKT cabling system performance naming: yellow = cat. 8.1, red = cat. 6A, blue = cat. 6, grey = cat. 5e
- Logo on the "keystone" body to help identify the system manufacturer
- Coherent design of shielded and unshielded module from cat. 8.1 to cat. 5e
- Fast and easy installation guarantees repeatability of the installation by the installer
- Standards compliance confirmed by tests carried out in independent laboratories
- Certified compliance with PoE standard (PoE, PoE+, 4PPoE)
- Conforms with requirements of electromagnetic compatibility EMC
- 25 years system guarantee
- Compact dimensions (H x W x D) – 20,4 mm x 16,8 mm x 37,6 mm
- Toolless assembly methods: no special assembly tools needed

Standards

- EN 50173-1
- EN 60603-7-81
- ISO/IEC 11801
- IEC 60603-7-81
- IEC 60512-99-002
- IEEE 802.3af/at/bt
- ANSI/TIA-568.2
- RoHS 2011/65/EU



Product Information

BKT RJ45 cat. 8.1 Keystone module, shielded, toolless

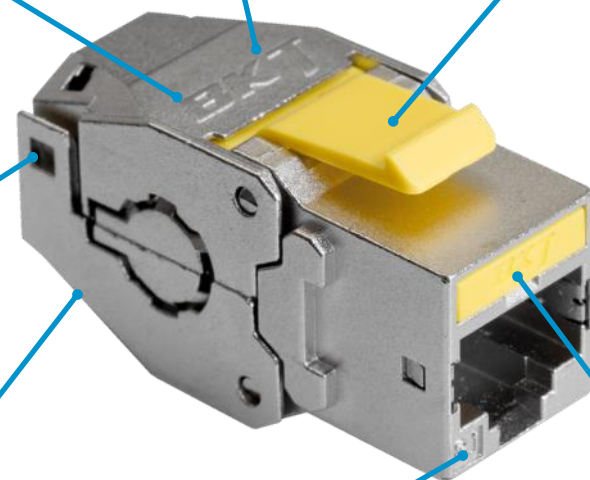
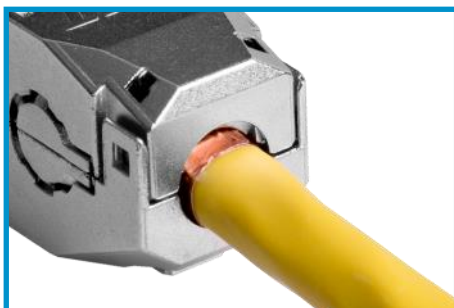
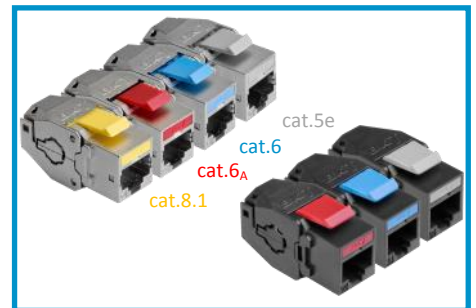
Card No.: PI_11336111_01.20

Special features

The Faston 250 series connector integrated with the module housing makes it easier to ground each modules individually

Standards compliance including PoE, PoE +, 4PPoE, confirmed by tests carried out in independent laboratories

Color of the keystone mounting latch in accordance with the BKT cabling system performance naming

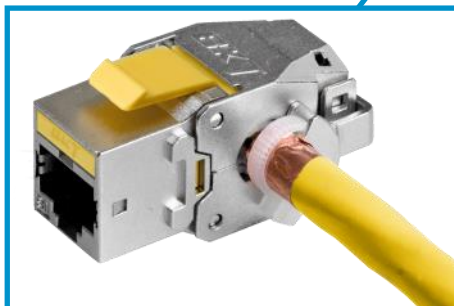


Coherent design of shielded and unshielded module from cat. 8.1 to cat. 5e

Compact dimensions [mm]
20,4 x 16,8 x 37,6



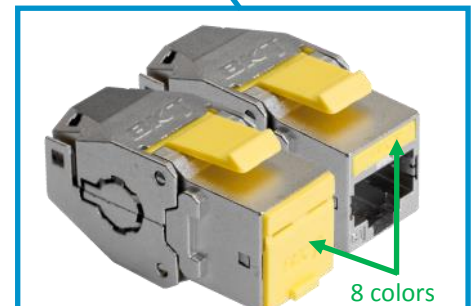
The cable insertion from the back of the module doesn't need use of cable tie



A unique mounting system enabling cable entry from the side of the module. The side clamp (Index 1133A230) ensures screen continuity



Information about the category on the front of the module



The system of colored id tags/dust covers allows to divide network & identification according to the preferences of the user

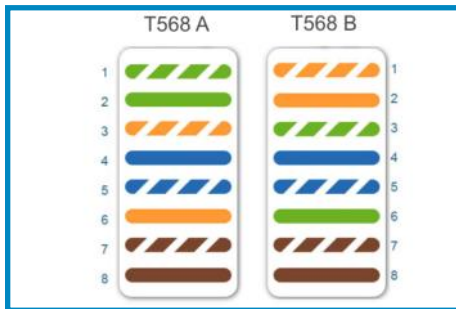
Product Information

BKT RJ45 cat. 8.1 Keystone module, shielded, toolless

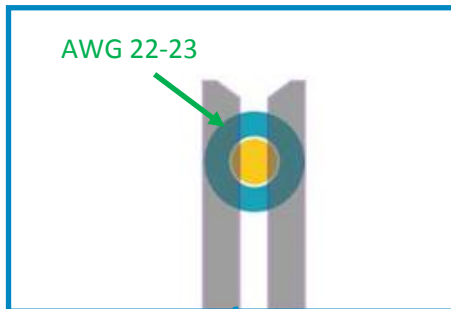
Card No.: PI_11336111_01.20

Special features

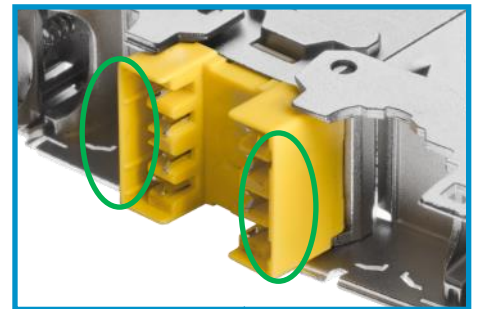
T568A/B scheme indicated on the toolless organiser



Universal IDC slot connection for solid and stranded wires with 22-23 AWG



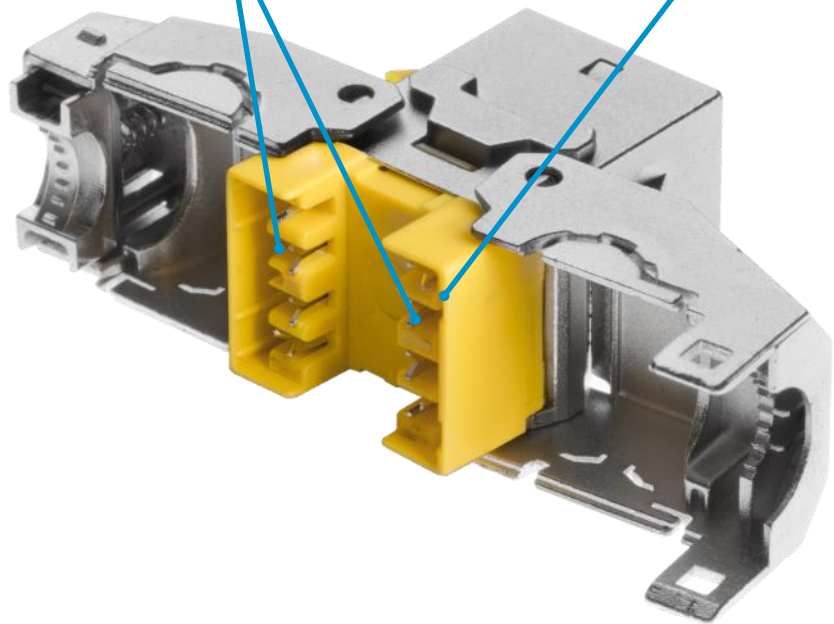
Integrated short circuit protection of conductors



Toolless organiser



Toolless assembly method:
no special assembly tools needed



Product Information

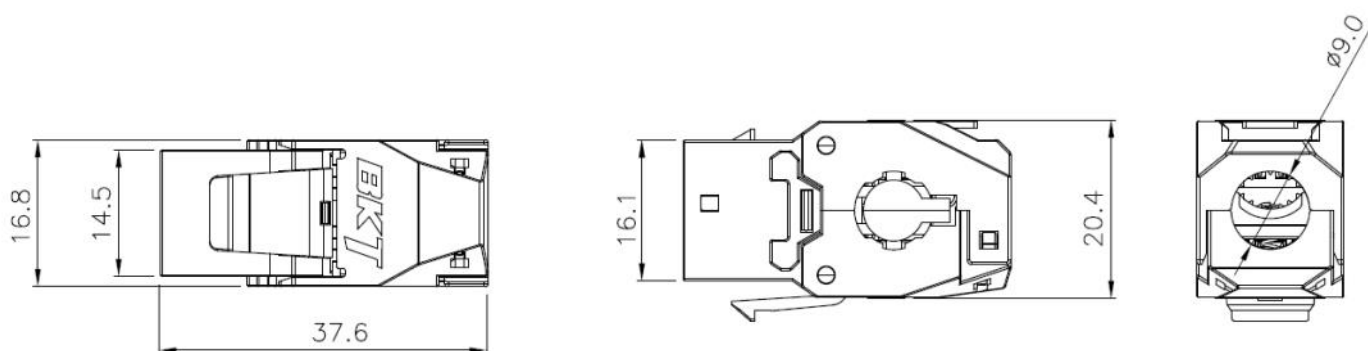
BKT RJ45 cat. 8.1 Keystone module, shielded, toolless

Card No.: PI_11336111_01.20

Physical and mechanical properties

Performance	<ul style="list-style-type: none"> - T568A & T568B wiring map printing in toolless organiser and IDC slot - Insertion force: 30N max - Retention strength: 7,7 kg between jack and plug - Operation temperature: -10°C to 60°C
Durability	<ul style="list-style-type: none"> - Jack: ≥ 750 cycles plug-jack mating and unmating test, insertion cycles at 20 cycles/minute max., contact resistance test per 100 cycles - IDC: ≥ 20 terminations for 22-26 AWG stranded and solid wire
RJ45 Jack	<ul style="list-style-type: none"> - Housing: Zinck die-casting Nickel plated - Contact bracket: PC, UL 94-V2
RJ45 jack contact	<ul style="list-style-type: none"> - Material: Phosphor bronze Nickel plated - Finish: 50 µin gold plated on pins
IDC	<ul style="list-style-type: none"> - Housing: PC + Fiber Glass, UL 94-V2 - Cover: Zinc die-casting Nickel plated - Terminal: Phosphor bronze Tin plated
Organiser	PC + Fiber Glass, UL 94-V2
PCB	FR4, UL 94V-0
ID Tag	ABS + PC, UL 94V-0
Dust cover	PP, UL 94V-2

Dimensions [mm]



Product Information

BKT RJ45 cat. 8.1 Keystone module, shielded, toolless

Card No.: PI_11336111_01.20

Performance / Variants

Index	Description
11336111	BKT RJ45 cat. 8.1 Keystone module, shielded, toolless

Optional accessories

Index	Description
1133A111	BKT RJ45 ID Tag - white (50pcs)
1133A112	BKT RJ45 ID Tag - grey (50pcs)
1133A113	BKT RJ45 ID Tag - blue (50pcs)
1133A114	BKT RJ45 ID Tag - red (50pcs)
1133A115	BKT RJ45 ID Tag - yellow (50pcs)
1133A116	BKT RJ45 ID Tag - black (50pcs)
1133A117	BKT RJ45 ID Tag - green (50pcs)
1133A118	BKT RJ45 ID Tag - orange (50pcs)
1133A121	BKT RJ45 Dust Cover - white (50pcs)
1133A122	BKT RJ45 Dust Cover - grey (50pcs)
1133A123	BKT RJ45 Dust Cover - blue (50pcs)
1133A124	BKT RJ45 Dust Cover - red (50pcs)
1133A125	BKT RJ45 Dust Cover - yellow (50pcs)
1133A126	BKT RJ45 Dust Cover - black (50pcs)
1133A127	BKT RJ45 Dust Cover - green (50pcs)
1133A128	BKT RJ45 Dust Cover - orange (50pcs)
1133A230	BKT RJ45 Side clamp (25pcs)
11330566	Angled adaptor BKT 2xRJ45 (45 x 45) descriptive field
11330567	Angled adaptor BKT 1xRJ45 (45 x 45) descriptive field