



BKT

40C



**NEW SERIES OF
SERVER CABINETS**





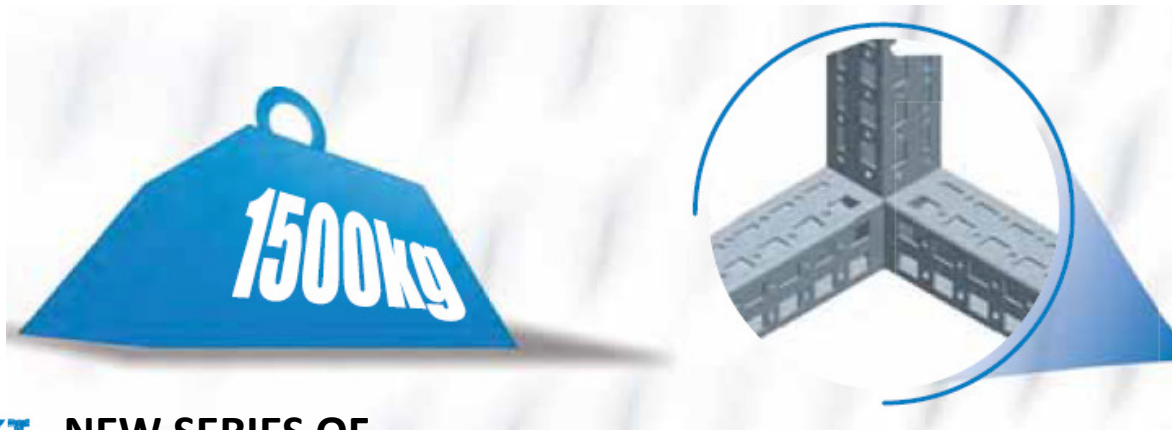
- STABILITY
- EASY INSTALLATION
- SAFETY
- EFFICIENT AIR FLOW
- FLEXIBILITY





STABILITY

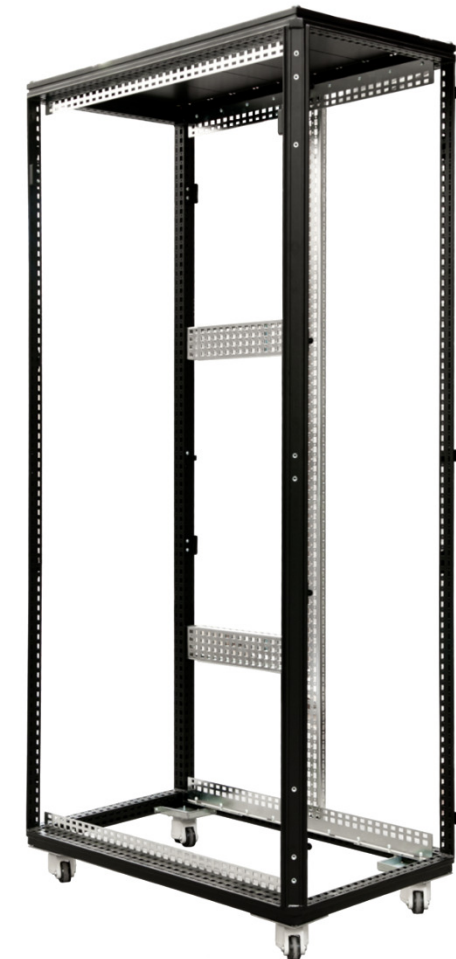
- Capacity **1500 kg**
- Ready for wheels kit (with integrated levelling feet) with a capacity of 1000kg





STABILITY

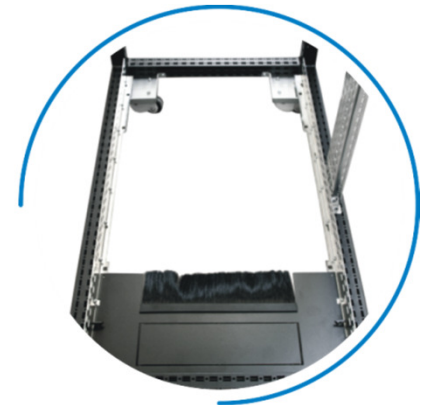
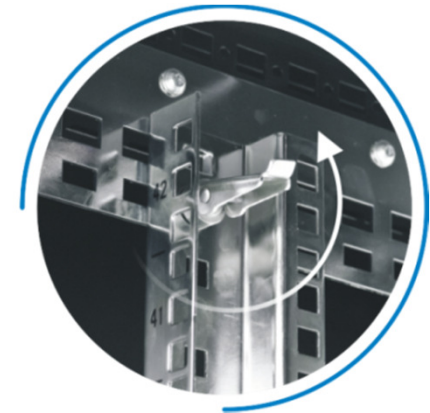
- Openings on every side of the frame
- Designed for tool-free installation of additional components
- Frame used also in hermetic cabinets





EASY INSTALLATION

- Tool free 19" profiles installation with the possibility of dividing the cabinet into 2 sections with different depths
- Tool-free base configuration





EASY INSTALLATION

- Tool-free assembly / disassembly of the side walls
 - Snap locks with additional locking system
 - Possibility of dividing side walls into 2, 3 or 4 sections





EASY INSTALLATION

- Tool-free assembly /
disassembly of the doors



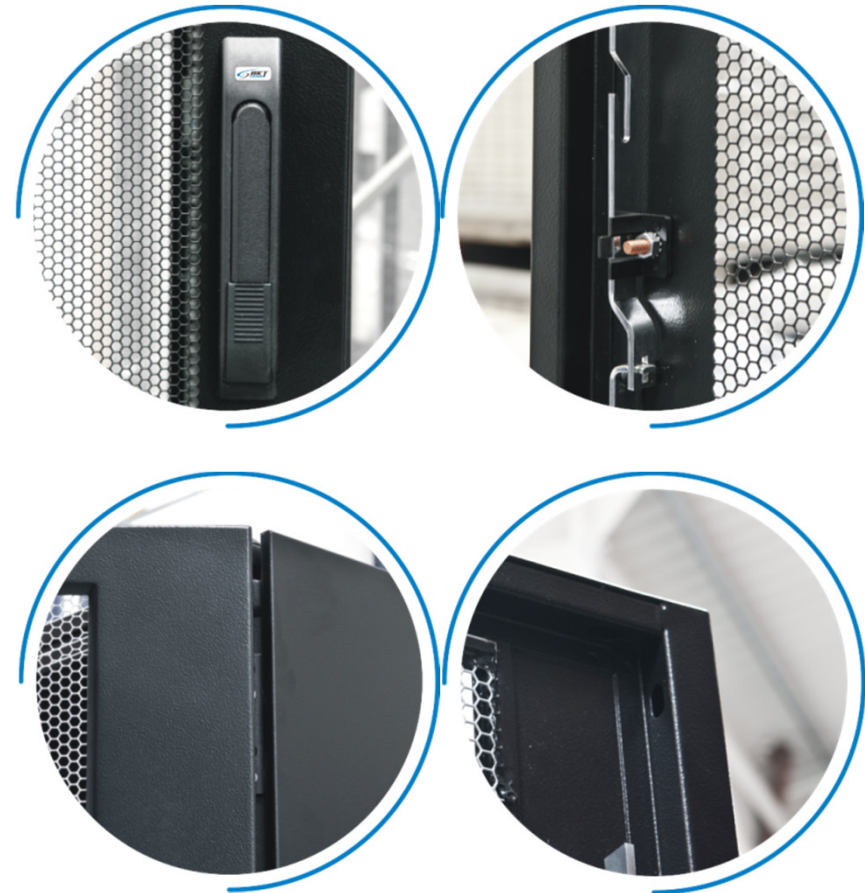
- Tool-free assembly /
disassembly of the blank covers





SAFETY

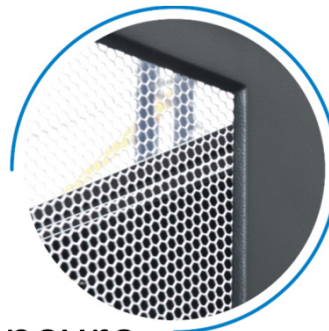
- 4-point locking system
- Internal hinges
- Universal locking system with the possibility of using electronic locks
- Built-in cable channel in the door frame



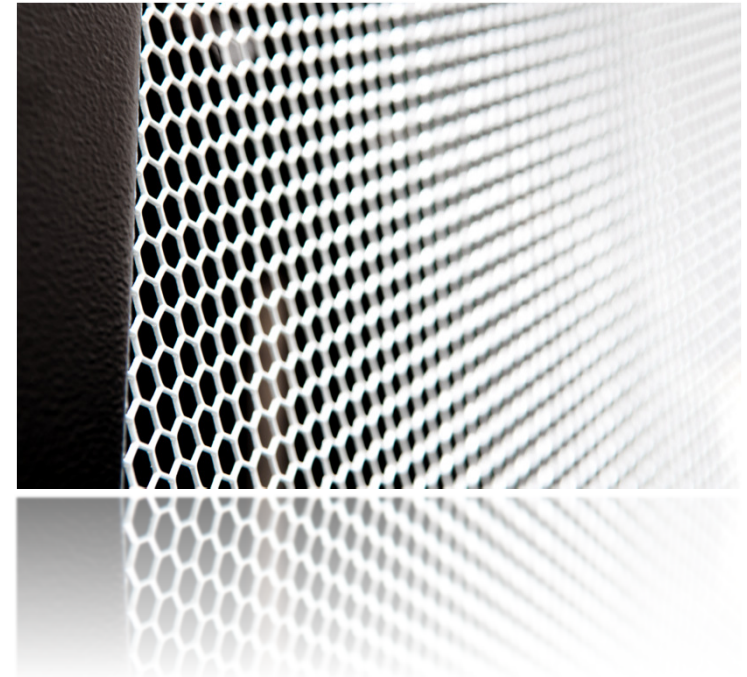


EFFICIENT AIR FLOW

- Doors with optimized surface perforation for more efficient cooling



- Additional elements to ensure adequate separation of cold / hot zone within the cabinet





FLEXIBILITY

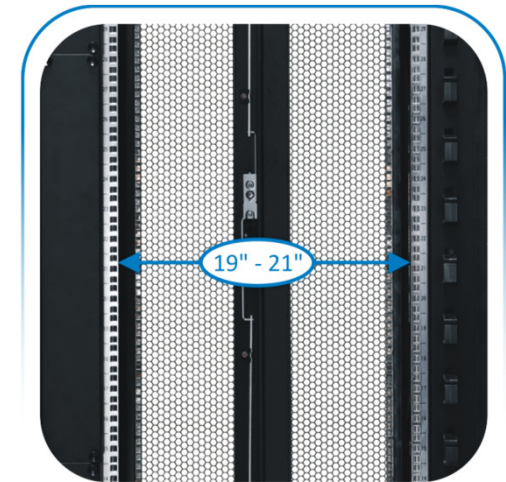
- Designed for mounting PDUs without using the 19" space (also in the cabinet width 600mm)





FLEXIBILITY

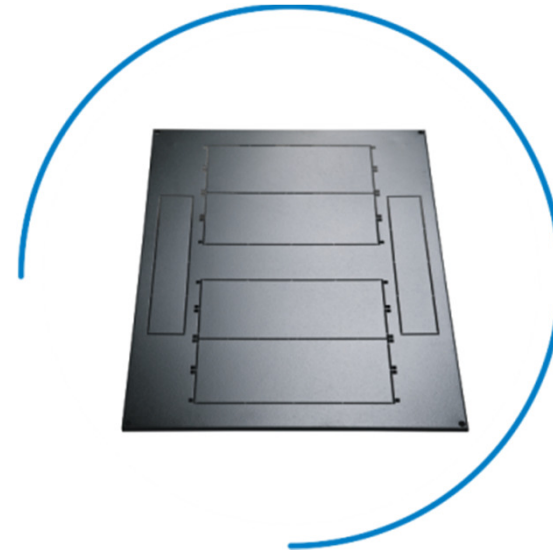
- Possibility to mount asymmetric profiles 19" (800mm wide cabinets)
- Spacing 19", 21" using standard profiles
- Openings on every side of the frame





FLEXIBILITY

- Roof as a separate element of the frame
- Additional cable inlets outside the 19" for the perfect organization of wiring (cabinet width 800mm)
- Possibility of easy configuration





FLEXIBILITY

- Vertical blank covers 600mm and 800mm
- Cable channels
600mm and 800mm





- STABILITY
- EASY INSTALLATION
- SAFETY
- EFFICIENT AIR FLOW
- FLEXIBILITY

