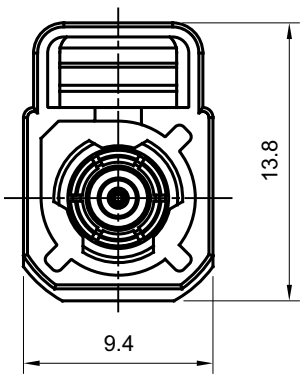
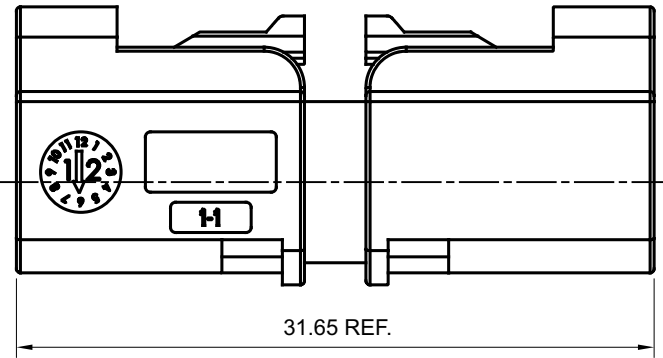


FAKRA Z jack



FAKRA Z jack

7	Ring	BeCu	None
6	Insulator	PTFE	White
5	Body	Copper	Nickel
4	Pin	P.B.	Gold
3	Insulator	PTFE	White
2	Body	Copper	Nickel
1	Shell	PA66	RAL 5021 Water blue
No	Description	Material	Finish

Impedance : 50 Ω
 Frequency range : 0 - 6 GHz
 Durability(Matings) : 100 min
 Plastic housing retention force : ≥110N
 Temperature range : -40°C / +105°C

DELLOCK®
 we move the world

Title: Adapter FAKRA Z jack >
 FAKRA Z jack

Date	2018 / 06 / 12	Item no.	89856
Unit	mm	Barcode	4043619898565
Projection			
Rev	A		

Date	2018 / 06 / 12
Unit	mm
Projection	
Rev	A