

Specification

88816

Delock SMA Buchse zum Einbau > MHF/U.FL-LP-088
kompatibler Stecker 200 mm

EAN: 4043619888160



Specification

88816

Delock SMA Buchse zum Einbau > MHF/U.FL-LP-088
kompatibler Stecker 200 mm

EAN: 4043619888160

RF Cable 1.37

Structure



Conductor

Material: silver coated copper
Construction: 30AWG(7x0.102mm)
Diameter: 0.31mm

Insulation

Material: FEP
Colour: clear
Thickness: 0.29mm
Diameter: 0.89±0.03mm

Braid shield

Material: tinned copper wire
Construction: 16/6/0.05mm
Coverage: 97%

Jacket

Material: FEP
Colour: custom
Thickness: 0.14mm
Diameter: 1.37±0.05mm

Specification

88816

Delock SMA Buchse zum Einbau > MHF/U.FL-LP-088
kompatibler Stecker 200 mm

EAN: 4043619888160

Physical characteristics

Description	Specification
Item	30AWG
Rating temperature	-55°C ~ 200°C
Minimum bend radius	9mm
Insulation	
unaged	Tensile strength 2500PSI/min 1.76kg/mm ²
	Elongation 200% min.
aged	Tensile strength unaged min. 75% 168HRSx232°C
	Elongation unaged min 75% 168HRSx232°C
Jack	
unaged	Tensile strength 2500PSI/min 1.76kg/mm ²
	Elongation 200% min.
aged	Tensile strength unaged min. 75% 168HRSx232°C
	Elongation unaged min 75% 168HRSx232°C

Electrical characteristics

Description	Specification
Impedance	50±3 Ohm
Conductor resistance	335 Ohm/km 20°C max.
Insulation resistance	1000MOhm/km min.
Capacitance	95.8pF/m
Dielectric strength	AC 1KV/min
Spark test	2KV
Nom. Vel. Of prop.	69.5%
VSWR test 0 ~ 6 GHz	max. 1.30
Attenuation (dB/m)	2.5@2.40GHz
	2.6@2.50GHz
	4.0@5.35GHz
	4.3@6.00GHz

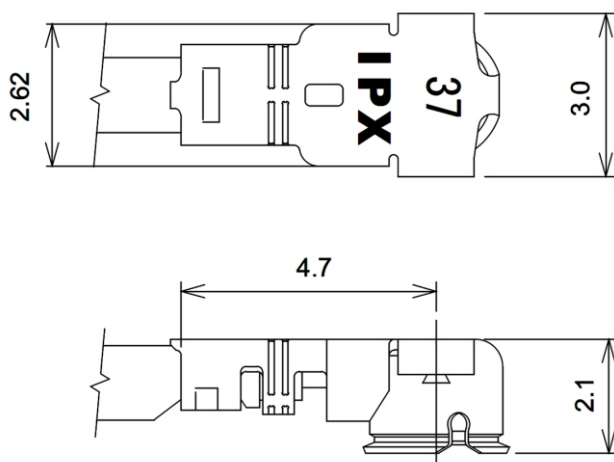
Specification

88816

Delock SMA Buchse zum Einbau > MHF/U.FL-LP-088
kompatibler Stecker 200 mm

EAN: 4043619888160

MHF plug (I-PEX)



Description	Specification
Frequency range:	DC to 6GHz
Impedance	50±3 Ohm
Temperature	-40°C ~ 90°C
Contact resistance	20 Milliohm max.
Withstand voltage	AC 200V
Insulation resistance	500 Megaohm min. DC 100V

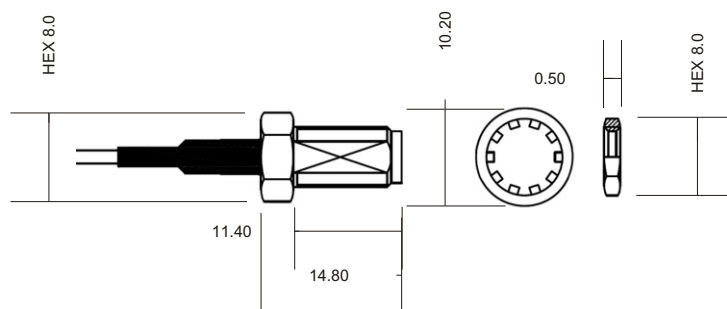
Specification

88816

Delock SMA Buchse zum Einbau > MHF/U.FL-LP-088
kompatibler Stecker 200 mm

EAN: 4043619888160

SMA jack bulkhead



Description	Material	Finish
Ferrule	Brass	Gold
Pin	Phosphor Bronze	Gold
Insulator	Teflon	
Body	Brass	Gold
Washer	Brass	Gold
Nut	Brass	Gold

Specification

88816

Delock SMA Buchse zum Einbau > MHF/U.FL-LP-088
kompatibler Stecker 200 mm

EAN: 4043619888160

WEEE note

The WEEE (Waste Electrical and Electronic Equipment) directive, which came into force on 13 February 2003, lead to a comprehensive change in the disposal of used electric products. It is the main purpose of this directive to avoid electric waste products (WEEE), while simultaneously promoting the re-usage, recycling and other forms of reconditioning in order to reduce the amount of waste. The WEEE logo on the product and the package shows that the product should not be disposed of with regular garbage. You are responsible for disposing all used electric and electronic devices at the corresponding collection sites. The separate collection and meaningful re-usage of electronic waste helps to deal with natural resources more economically. In addition, re-using electronic waste contributes to the preservation of the environment and human health. Additional information regarding the disposal of electric and electronic devices, their re-usage and the collection sites can be found at your local authorities, disposal companies, specialist shops and the manufacturer of the product.

RoHS conformity

This product complies with the directive 2002/95/EC of the European parliament and the council from January 27th 2003 concerning the restricted use of dangerous substances in electrical and electronical devices (RoHS) as well as its modification. This product is compliant with Directive 2011/65/EU of 3 January 2013.

Specification

88816

Delock SMA Buchse zum Einbau > MHF/U.FL-LP-088
kompatibler Stecker 200 mm

EAN: 4043619888160

Support Delock

If you have further questions, please contact our customer support
support@delock.de.

You can find current product information on our homepage: www.delock.com.

Final clause

Information and data contained in this manual are subject to change without
notice in advance. Errors and misprints excepted.

Copyright

No part of this user manual may be reproduced, or transmitted for any purpose,
regardless in which way or by which means, electronically or mechanically,
without explicit written approval of Delock.

Edition: 03/2014