

SCALE 1/1

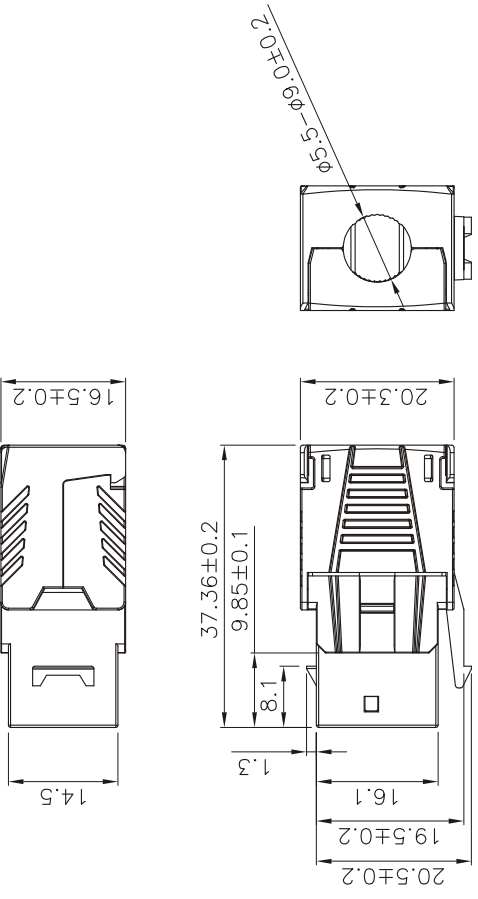


Figure D.2-Panel drawing

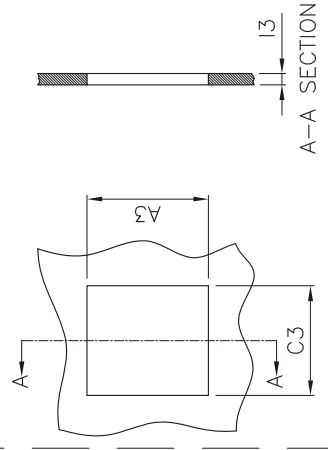


Table D.2-Dimensions

Letter	Maximum mm	Minimum mm
A3	19.61	19.30
C3	15.04	14.78
I3	1.54	1.22

Specification :

- Material :
1. RJ45 Jack :
- 1-1. Housing : Zinc die-casting with nickel plated.
 - 1-2. Contact bracket : PC, UL 94-V2, transparent color.
2. RJ45 Jack contact :
- 2-1. Material : Phosphor bronze with nickel plated.
 - 2-2. Finish : 50 micro-inch gold plated on plug contact area.
3. Cap A&B : Zinc die-casting with nickel plated.
4. IDC :
- 4-1. Housing : PC+glass fiber, white color, UL 94-V2.
 - 4-2. Terminal : Phosphor bronze with tin plated.
5. Cap : PC+glass fiber, white color, UL 94-V2.
6. Grounding contact: Stainless steel.
7. Grounding contact block: Zinc die-casting with nickel plated.
8. Spring: Spring steel.
9. PCB: UL94V-0.

Performance :

- a. T568A & T568B wiring.
- b. Insertion force : 30N max. (IEC 60603-7-5).
- c. Retention strength : 7.7 kg between Jack and Plug.
- d. Operating temperature : -10°C to 60°C. (ISO/IEC 11801, ANSI/TIA 568-C.2-1).
- e. Life time :
 - e-1. Jack : 750 cycles min. (ISO/IEC 11801, IEC 60603-7-5).
 - e-2. IDC : Suitable for 22-24AWG stranded and solid wire, min. 20-installation cycles.
- f. The Cat 8 transmission performance is in compliance with the ANSI/TIA 568-C.2-1 standard.



Title: Keystone Jack RJ45 toolfree

Date	2017 / 09 / 22
Unit	mm
Projection	
Rev	A
Item no.	86488
Barcode	4043619864881
File No.	88148