

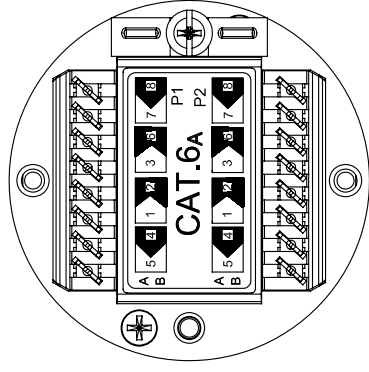
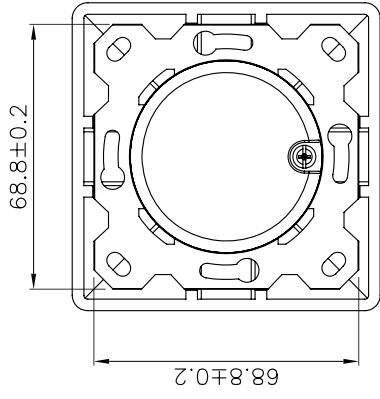
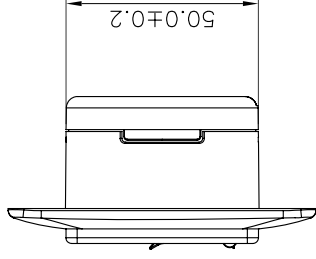
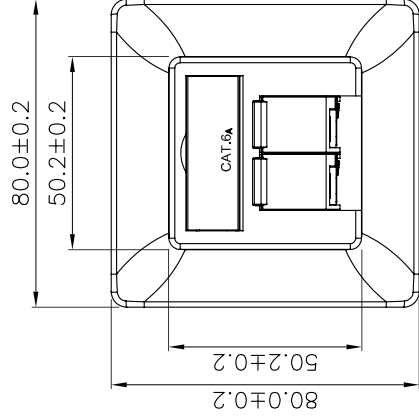
SCALE 1/4

Specification :

- Material :**
1. Plate : ABS, UL 94-HB.
 2. RJ45 Jack :
 - 2-1. Housing : PBT+Glass Fiber, UL 94V-0.
 - 2-2. Contact Bracket : PBT+Glass Fiber, UL 94V-0.
 - 2-3. Cover : PBT+Glass Fiber, UL 94V-0.
 3. RJ45 Jack Shield : Bronze with Nickel plated.
 4. RJ45 Jack Contact :
 - 4-1. Material : Phosphor Bronze with Nickel plated.
 - 4-2. Finish : 50 micro-inch Gold plated on Plug contact area.
 5. IDC :
 - 5-1. Housing : PC+Glass Fiber, UL 94V-0.
 - 5-2. Terminal : Phosphor Bronze with Tin plated.
 6. Bracket : ABS, UL 94-HB.
 7. Fastener : SPCC, 1.2mm thickness with 5~8um Nickel plated.
 8. Identification :
 - 8-1. Paper.
 - 8-2. I.D. Plate : PC, UL 94V-2.
 9. Spring : SUS.
 10. Shield : Zinc Die-casting.
 11. PCB : FR4, UL 94V-0.

Performance :

- a. T568A & T568B wiring sticker.
- b. Insertion Force : 30N max. (IEC 60603-7-5)
- c. Retention strength : 7.7 kg between Jack and Plug.
- d. Operating temperature : -10°C to 60°C. (ISO/IEC 11801, ANSI/TIA/EIA 568 B.2)
- e. Life(mating cycles) :
 - Jack : 750 cycles min. (ISO/IEC 11801, IEC 60603-7-5)
 - IDC : Suitable for 22-24 AWG stranded and solid wire, compatible with Krone punch down tool.
- f. The CAT.6A channel transmission performance is in compliance with TIA/EIA 568C.2 10G & ISO/IEC 11801 standard.



SCALE 1/1



Date	2016 / 01 / 06	Title:	Modular Wall Outlet 2 Port Cat.6A
Unit	mm	Item no.	86195
Projection		Barcode	4043619861958
Rev	A	File No.	