

8

7

6

5

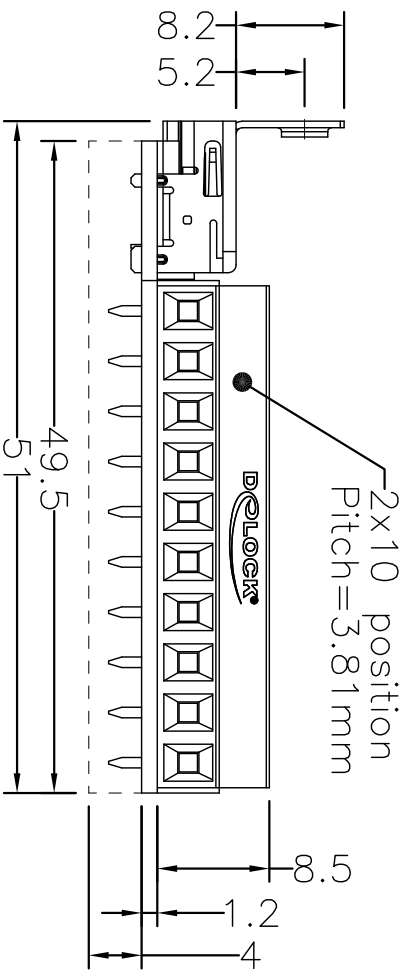
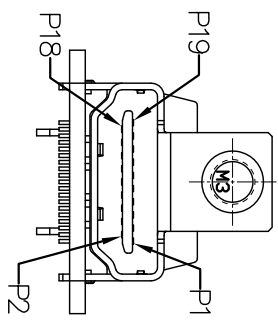
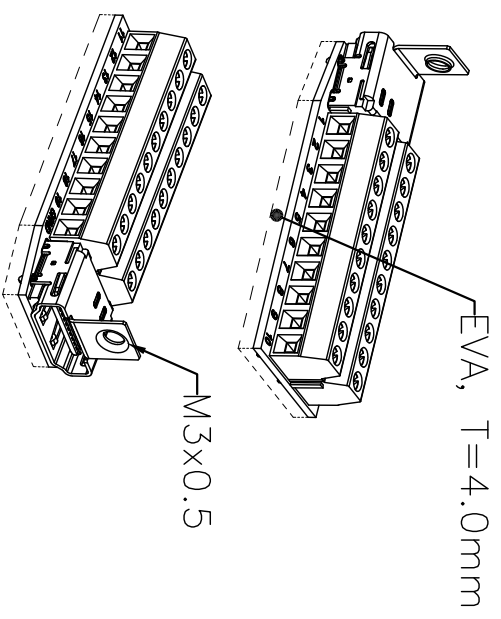
4

3

2

1

Wire Map	HDM A F	terminal block
1	1	1
2	2	2
3	3	3
4	4	4
5	5	5
6	6	6
7	7	7
8	8	8
9	9	9
10	10	10
11	11	11
12	12	12
13	13	13
14	14	14
15	15	15
16	16	16
17	17	17
18	18	18
19	19	19
Shell		GRND



REV		DESCRIPTION		DATE		APPROVED	
A	INITIAL RELEASE	11/18/2012	Steven				

A

B

C

D

A

B

C

D

Electrical Character:

- 1> 100% open&short testing
- 2> With understanding voltage:DC 300 V 0.01 Sec.
- 3> Insulation Resistance: 10M Ohm (Min)
- 4> Conductive Resistance: 2 Ohm(Max)

Partname:
Adapter Terminal Block>HDMI female

UNLESS OTHERWISE SPECIFIED, DIMENSIONS ARE IN INCHES[mm]		DRAWN BY: Moy		DATE 11/18/2012	
DIMENSIONAL TOLERANCES: X = ±.1 .XX = ±.05 .XXX = ±.005		CHECKED BY: Gang		11/18/2012	
ANGULAR TOLERANCES: ALL = ± 1°		APPROVED BY: Steven		11/18/2012	
PROJECTION		CONFIGURATION DETAILS OF UNDIMENSIONED FEATURES MAY VARY		COLOR VARIATIONS MAY OCCUR	

DELOCK
 we move the world

Item no.

65168

Barcode: 4043619651689

File: 88072

8

7

6

5

4

3

2

1