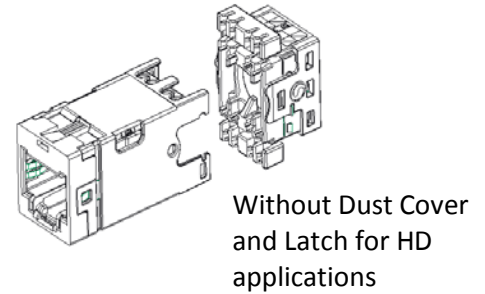
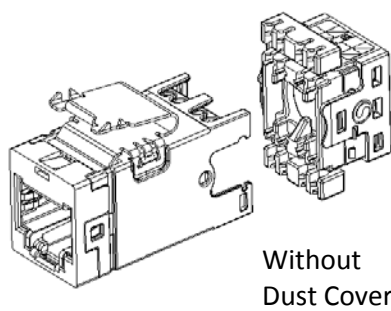
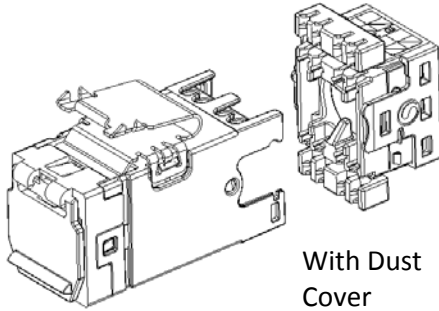


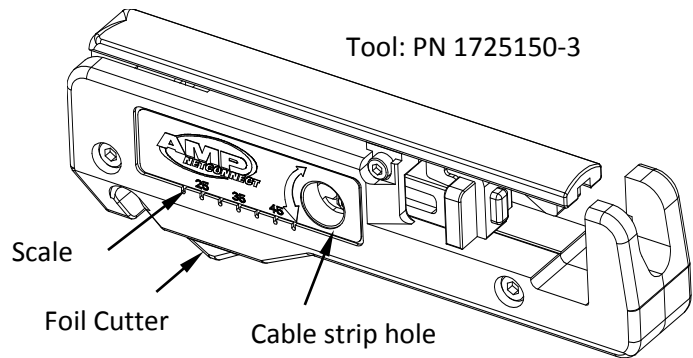
860638777

Rev B 14MAR2018

commscope.com

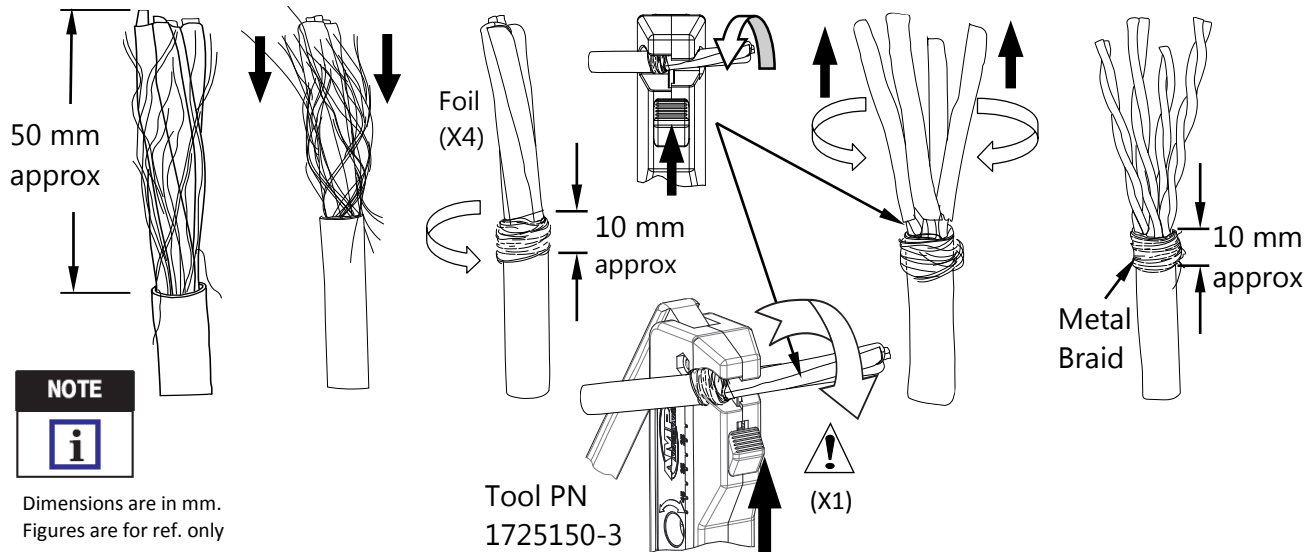


CABLE REQUIREMENTS	
Solid conductor range	AWG 22–26
Stranded conductor	AWG 24–26
Max. Insulation dia (mm)	1.60
Total Cable dia. (mm) range (with foil/braid folded back)	5.0 – 9.0



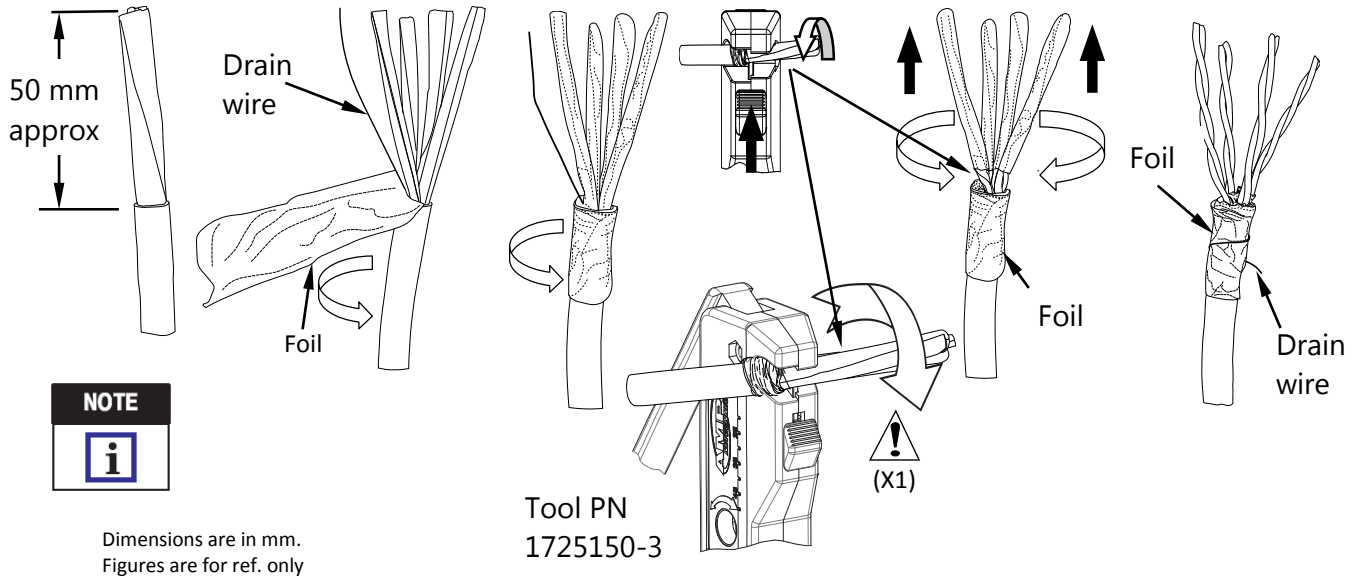
S/FTP

CABLE PREPARATION: S/FTP ("PiMF")



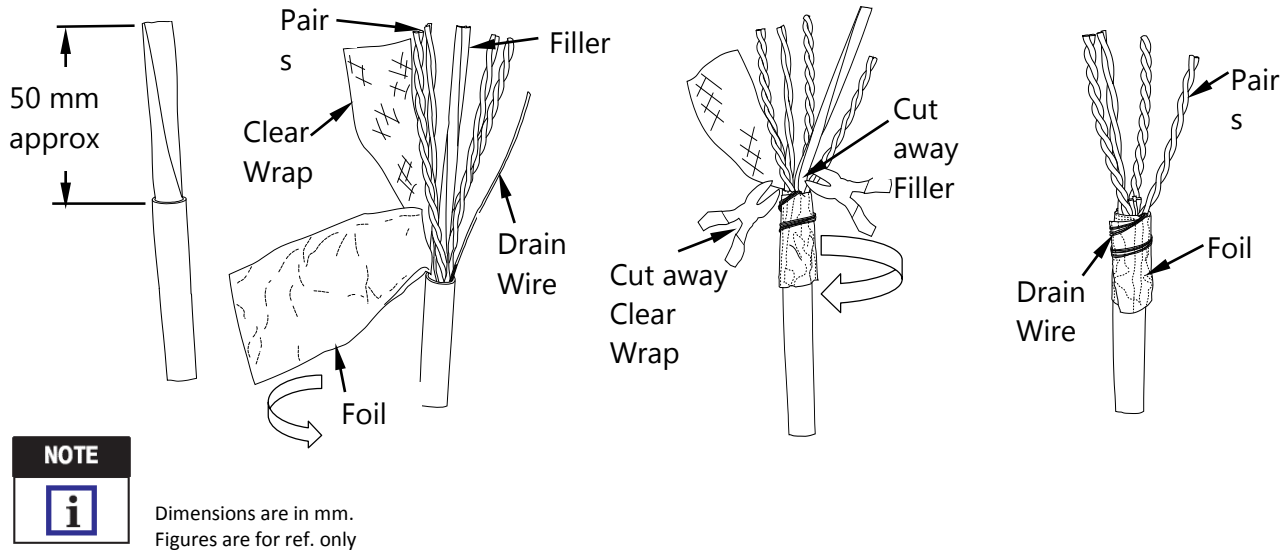
F/FTP

CABLE PREPARATION: F/FTP ("Compact")

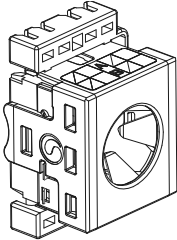
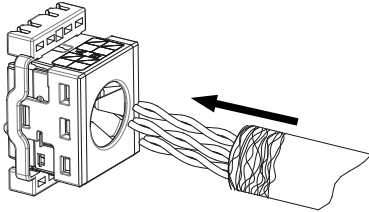
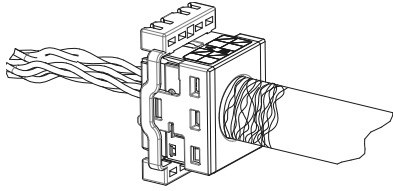
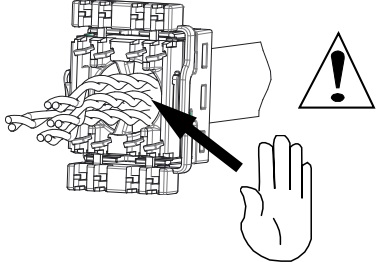
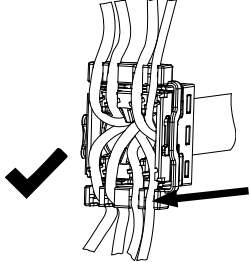
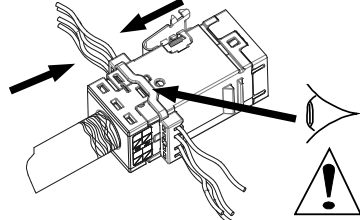
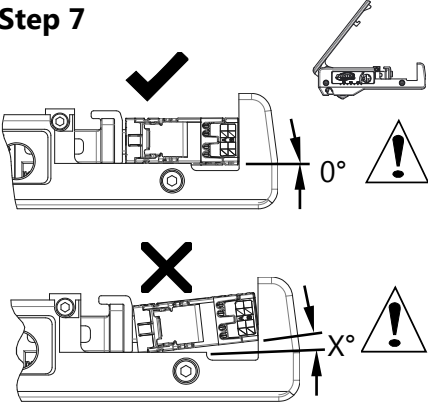
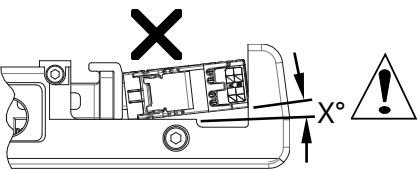
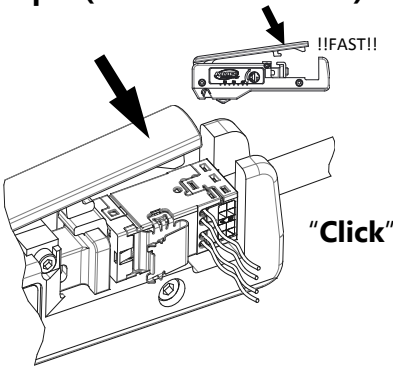
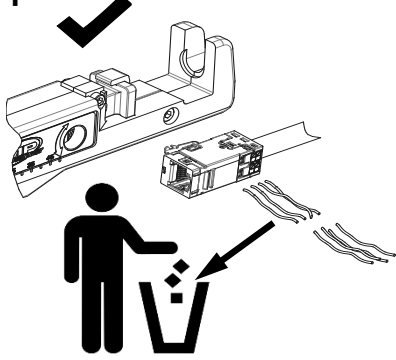


F/UTP

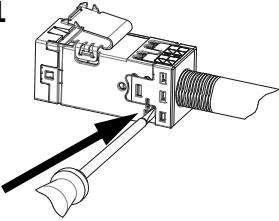
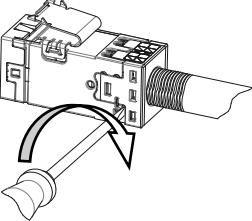
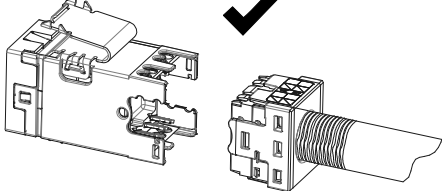
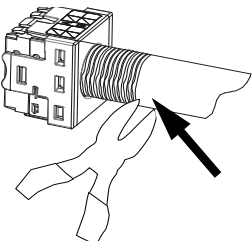
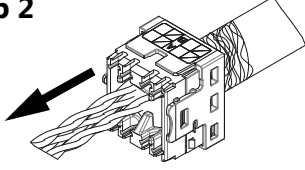
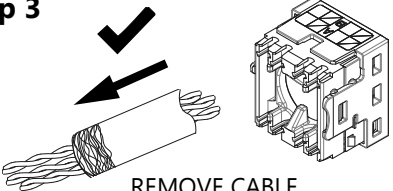
CABLE PREPARATION: F/UTP



ASSEMBLY INSTRUCTIONS

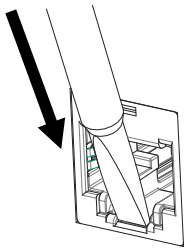
<p>Step 1 (COLOR CODING)</p> 	<p>Step 2</p> 	<p>Step 3</p> 
<p>Step 4 (CABLE DEPTH)</p> 	<p>Step 5 (LACING WIRES)</p>  <p>Laced wires must be fully seated.</p>	<p>Step 6 (LOCATE HALVES)</p> 
<p>Step 7</p>  <p>0°</p>  <p>X°</p>	<p>Step 8 (CLOSING PROCESS)</p>  <p>!!FAST!!</p> <p>"Click"</p>	<p>Step 9</p> 

REOPENING AND CABLE EXTRACTION INSTRUCTIONS

<p>Step 1</p> 	<p>Step 2</p> 	<p>Step 3</p> 
<p>Step 1</p> 	<p>Step 2</p>  <p>EXTRACT CUT CABLE THIS DIRECTION</p>	<p>Step 3</p>  <p>REMOVE CABLE AND DISPOSE</p>

COLOR CAP REMOVAL/REPLACEMENT

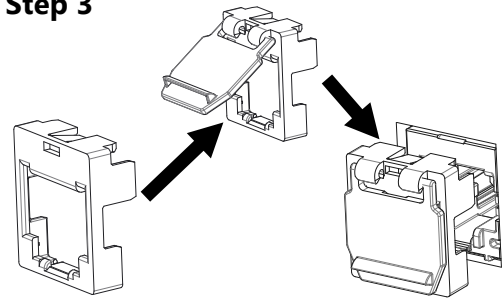
Step 1



Step 2

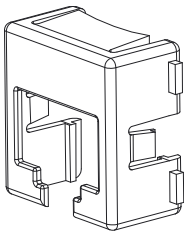


Step 3

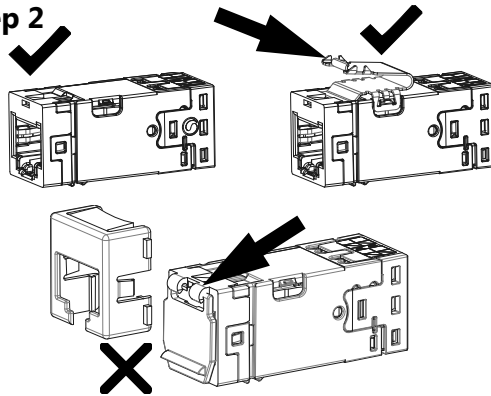


M SERIES ADAPTER

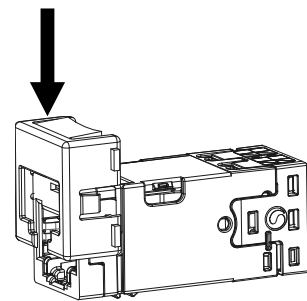
Step 1



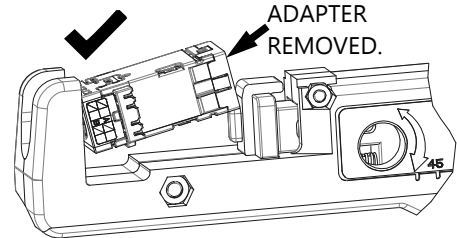
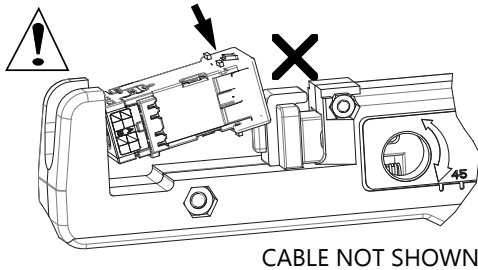
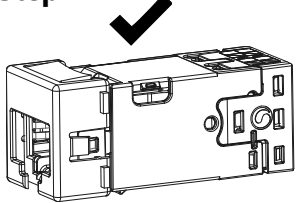
Step 2



Step 3



Step 4



Trade-marks

All trademarks identified by ® or ™ are registered trademarks or trademarks, respectively, of CommScope, Inc. This document is for planning purposes only and is not intended to modify or supplement any specifications or warranties relating to CommScope products or services. CommScope is committed to the highest standards of business integrity and environmental sustainability, with a number of CommScope's facilities across the globe certified in accordance with international standards, including ISO 9001, TL 9000, and ISO 14001.

Further information regarding CommScope's commitment can be found at

www.commscope.com/About-Us/Corporate-Responsibility-and-Sustainability.

Contact information

Visit our website or contact your local CommScope representative for more information.

For technical assistance, customer service, or to report any missing/damaged parts, visit us at:

<http://www.commscope.com/SupportCenter>

This product is covered by one or more U.S. patents or their foreign equivalents. For patents, see

www.commscope.com/ProductPatent/ProductPatent.aspx