



1725150-1

Fiber Optic Termination Tool Kit with Lacing Fixture

- Terminates all AMP-TWIST and SL Series Modular Jacks
- Strips cable, marks foil, terminates and cuts 8 conductors at once
- Maintains twisted pair integrity
- Time and cost saving simplifying lacing process and speeding up the termination
- Lacing fixture assures simple and efficient use (not used for AMP-TWIST Jacks)

Operation/Application

Environment	Indoor
For Use With	AMP-TWIST 6AS SL Jack Connectors AMP-TWIST 6S SL Jack Connectors AMP-TWIST 7AS SL Jack Connectors SL Series 110 Jack Connectors

Other

Comment	Order modular jacks separately
---------	--------------------------------

Packaging Features

Packaging Method	Pouch
Packaging Quantity	1

Product Availability

Region	Australia/New Zealand EMEA Latin America North America
--------	--

Product Type Features

Product Type	Tool
System	Modular Jacks

Regulatory Compliance/Certifications

Agency
RoHS 2011/65/EU

Classification
Compliant

Included Products

- 1673956-1 — Lacing Fixture for SL Tool
- 1725150-3 — Fiber Optic Termination Tool Kit without Lacing Fixture

1673956-1

Lacing Fixture for SL Tool



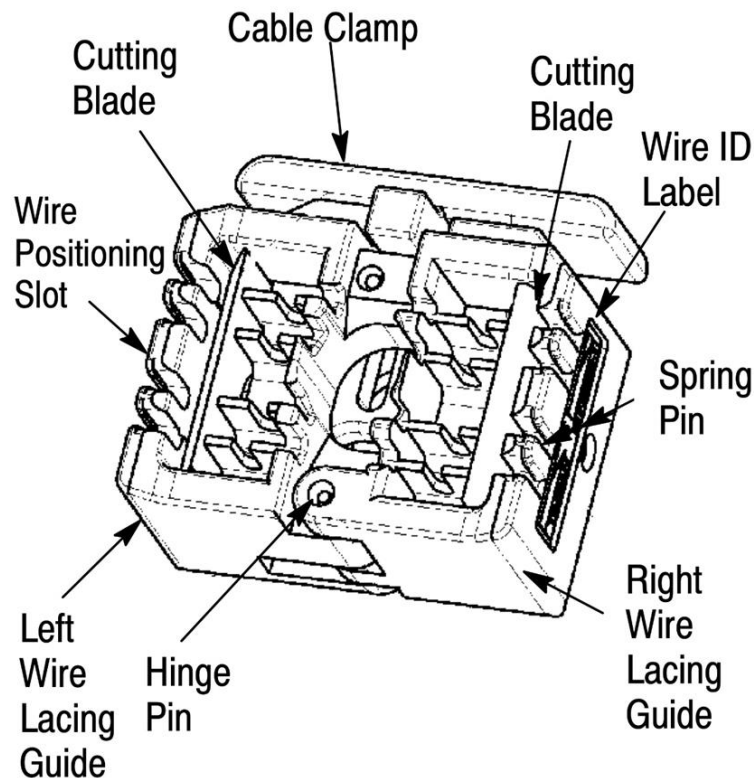
Operation/Application

Environment	Indoor
For Use With	SL Series 110 Jack Connectors

Other

Comment	Order modular jacks separately
---------	--------------------------------

Outline Drawing



Packaging Features

Packaging Method	Box
Packaging Quantity	1

1673956-1

Product Availability

Region Australia/New Zealand | EMEA | Latin America | North America

Product Type Features

Product Type Tool
System Modular Jacks

Regulatory Compliance/Certifications

Agency
RoHS 2011/65/EU

Classification
Compliant



1725150-3

Fiber Optic Termination Tool Kit without Lacing Fixture

- Terminates all SL Series Modular Jacks
- Strips cable, marks foil, terminates and cuts 8 conductors at once
- Maintains twisted pair integrity
- Time and cost saving simplifying lacing process and speeding up the termination

Operation/Application

Environment	Indoor
For Use With	SL Series 110 Jack Connectors

Other

Comment	Order modular jacks separately
---------	--------------------------------

Packaging Features

Packaging Method	Pouch
Packaging Quantity	1

Product Availability

Region	Australia/New Zealand EMEA Latin America North America
--------	--

Product Type Features

Product Type	Tool
System	Modular Jacks

Regulatory Compliance/Certifications

Agency
RoHS 2011/65/EU

Classification
Compliant